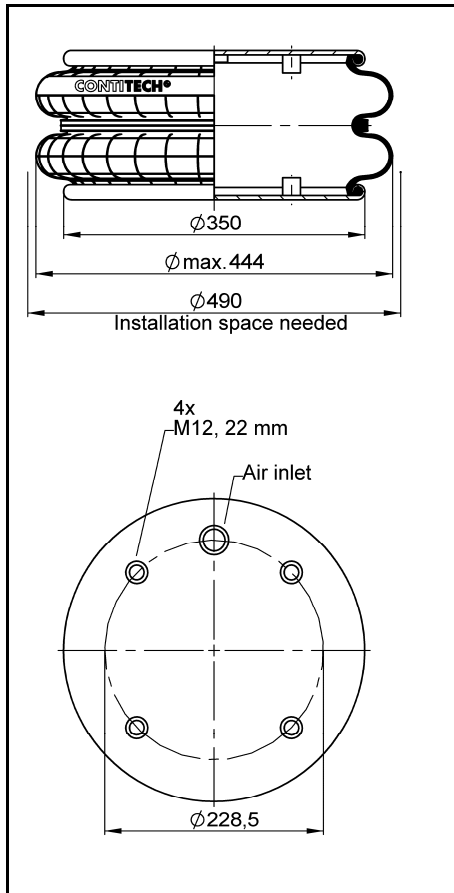
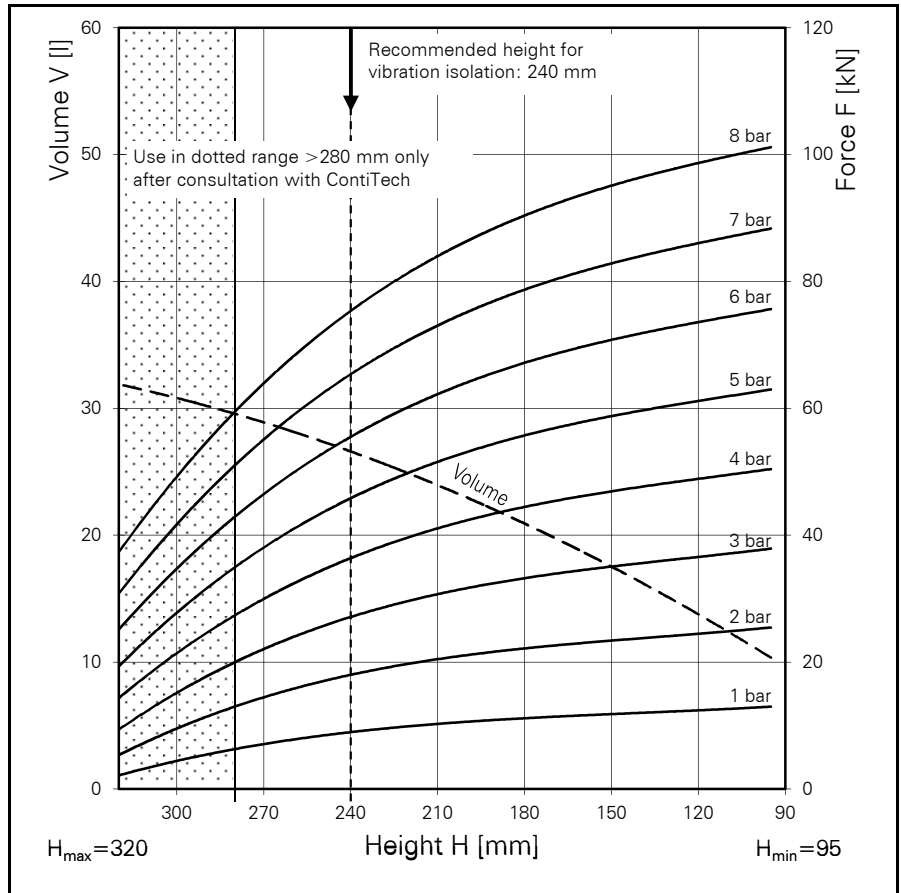


FD 960-22 CI

CONTI® Double Convolution Air Spring



FD 960-22 CI



Force-height diagram

Purchase order data

Type	Order No.
Rubber bellows only	61776
With clamped plates G 3/4 air inlet 114.3 mm excentrical	69798

Technical data

Min. pressure	0 bar
Return force to min. height	≤ 200 N
Overall weight with clamped plates	18.6 kg

Additional types on request

Vibration isolation - dynamic characteristic values


Pressure p [bar]	3	4	5	6	7	8	Vol V [l]
Force (Load) [kN]	27.0	36.3	45.7	55.4	65.3	75.3	
Spring rate [N/cm]	3120	3955	4800	5635	6485	7185	
Natural frequency [Hz]	1.7	1.6	1.6	1.6	1.6	1.6	

Pneumatic application - static characteristic values

Force F [kN]

Pressure p [bar]	3	4	5	6	7	8	Vol.[l]	
Height H [mm]	220	29.4	39.4	49.6	59.9	70.4		81.1
	200	31.4	42.1	52.8	63.8	74.9		86.1
	180	33.1	44.3	55.6	67.1	78.6		90.3
	160	34.7	46.4	58.1	70.0	81.9		93.9
	140	35.9	47.9	59.9	72.1	84.3		96.7
	120	36.8	49.0	61.3	73.7	86.2		98.8
	100	37.6	50.1	62.6	75.2	87.8		100.7

Measuring procedure: Room temperature / Force- height- data quasistatic / Dynamic data at 1 Hz

 Service instructions
M12 = 75 Nm
G 3/4 = 50 Nm