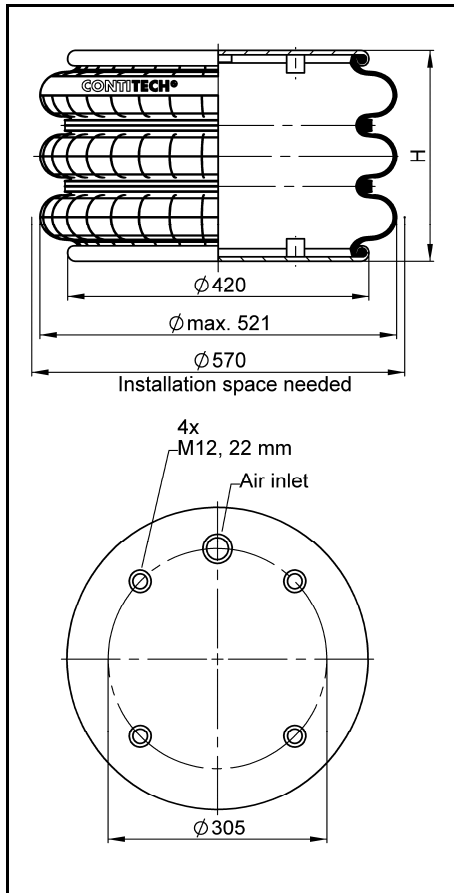
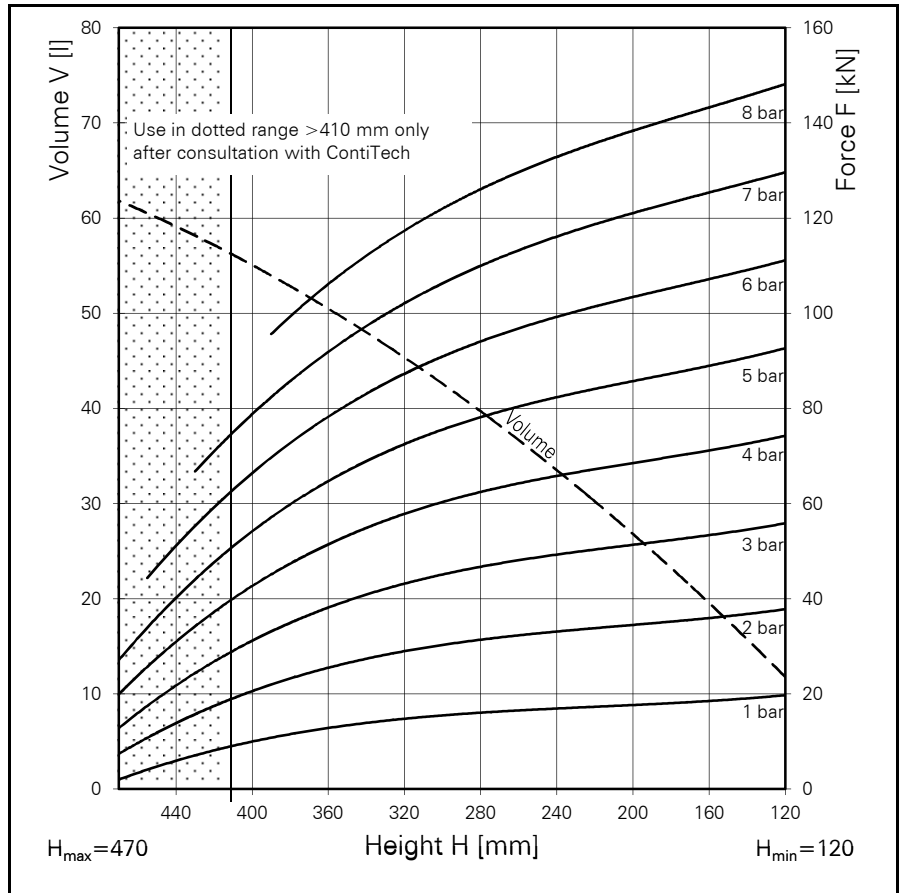


FT 1330-35 CI

CONTI® Triple Convolution Air Spring



FT 1330-35 CI



Force-height diagram

Purchase order data

| Type | Order No. |
|--|-----------|
| Rubber bellows only | 61780 |
| With clamped plates G 3/4 air inlet 152.5 mm excentrical | 69796 |

Technical data


| | |
|------------------------------------|---------|
| Min. pressure | 0 bar |
| Return force to min. height | ≤ 50 N |
| Overall weight with clamped plates | 20.9 kg |

Additional types on request

Pneumatic application - static characteristic values

Force F [kN]

| Pressure p [bar] | 3 | 4 | 5 | 6 | 7 | 8 | Vol.[l] | |
|------------------|-----|------|------|------|-------|-------|---------|------|
| Height H [mm] | 390 | 33.4 | 45.4 | 57.5 | 70.1 | 82.6 | 95.6 | 54.5 |
| | 330 | 41.7 | 56.0 | 70.3 | 85.1 | 99.8 | 114.8 | 46.9 |
| | 270 | 47.2 | 63.1 | 79.0 | 95.3 | 111.5 | 127.9 | 37.8 |
| | 190 | 52.2 | 69.6 | 87.0 | 104.6 | 122.1 | 139.6 | 24.4 |

 Service instructions
M12 = 75 Nm
G 3/4 = 50 Nm

Measuring procedure: Room temperature / Force- height- data quasistatic / Dynamic data at 1 Hz

