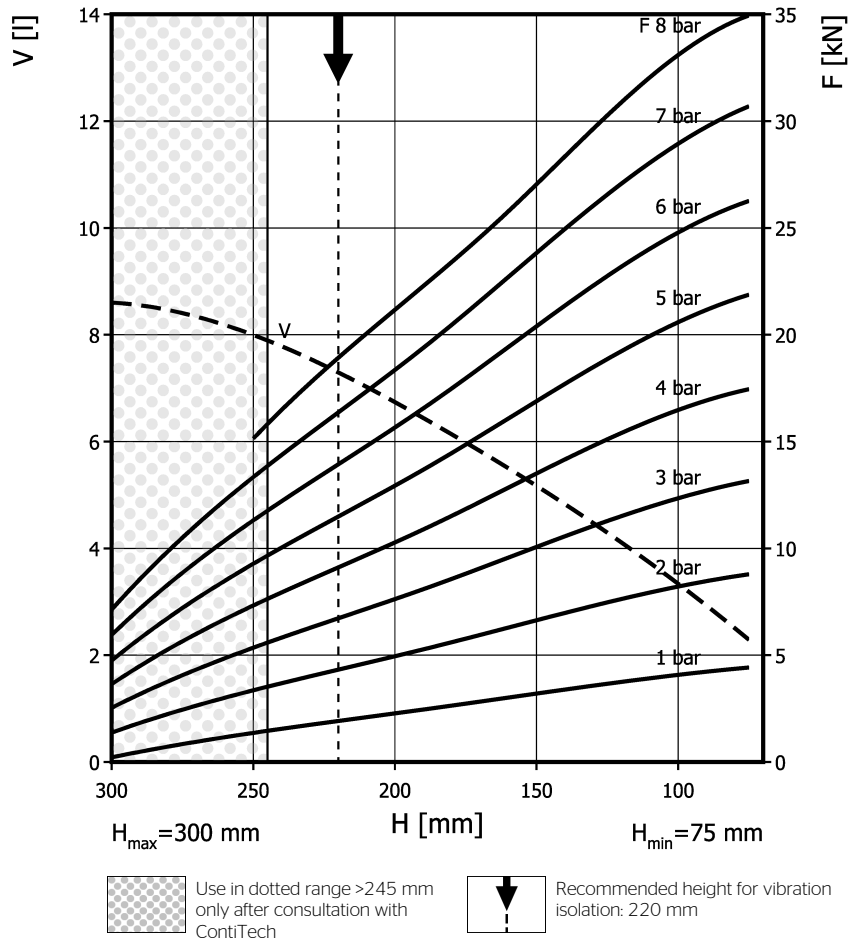
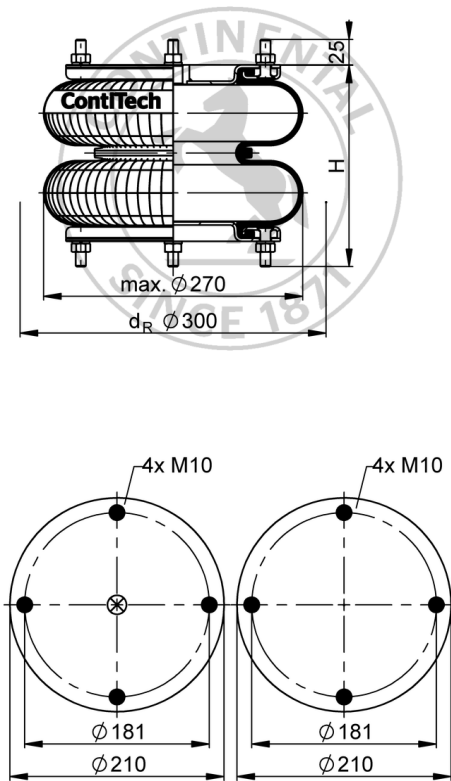


## FD 210-22 DS

## Double Convolution Air Actuator



## Purchase order data

Type	Order No.
rubber bellows only	66993
with dismountable plates, G1/2 air inlet	67403

Additional types on request

## Technical data

Min. pressure	0 bar
Return force to min height	≤ 220 N
Overall weight	4.7 kg

**Vibration isolation - dynamic characteristic values**

Design height H: recommended 220mm, minimum 200mm

Pressure p [bar]	3	4	5	6	7	8	Vol. V [l]
Force (Load) [kN]	6.7	9.2	11.5	13.9	16.3	18.7	
Spring rate [N/mm]	100	123.5	148	171	194.5	218.5	
Natural frequency [Hz]	1.9	1.8	1.8	1.8	1.7	1.7	

**Pneumatic application - static characteristic values**

Force F [kN]

Pressure p [bar]	3	4	5	6	7	8	Vol. V [l]	
Height H [mm]	250	5.28	7.22	9.16	11.2	13.2		15.1
	200	7.66	10.3	13	15.7	18.4		21.1
	150	9.98	13.4	16.7	20.2	23.6		27
	100	12.4	16.5	20.6	24.8	28.9	33	



Service instructions  
 M10: max. 25 Nm  
 G1/2: max. 25 Nm

**Measuring procedure:** Room temperature / Force-height-data quasistatic / Dynamic data at 1 Hz