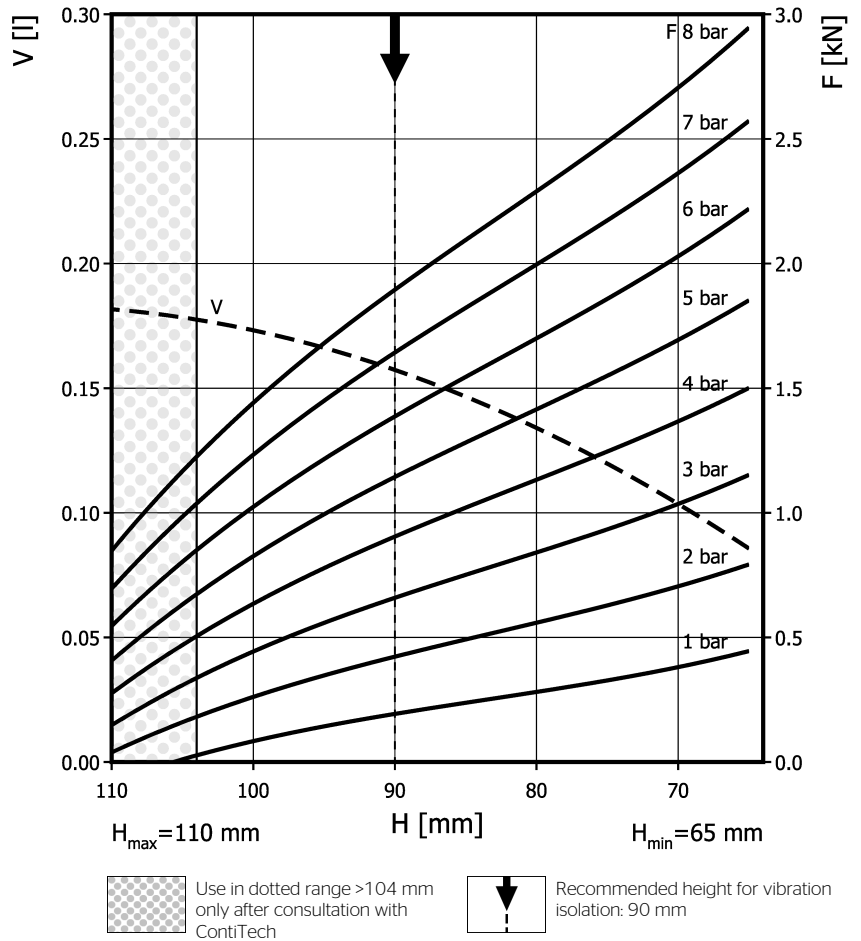
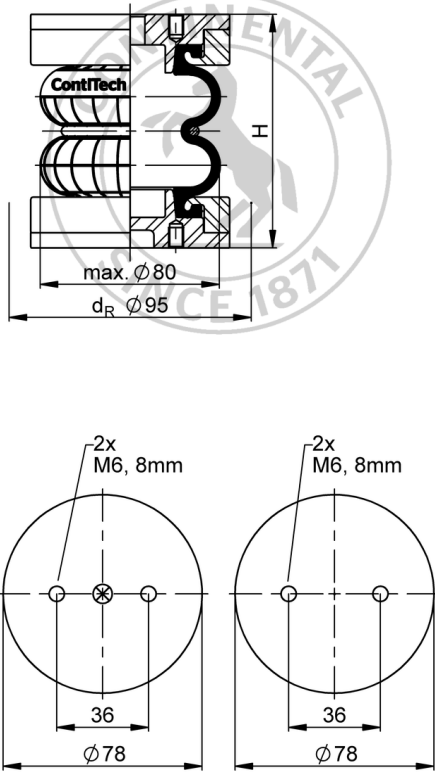


FD 22-4 DI CR

Double Convolution Air Actuator



Purchase order data

Type	Order No.
rubber bellows only	79423
CR-Rubber bellows, with dismountable aluminium plates, G1/4 air inlet	69341

Additional types on request

Technical data

Min. pressure	0 bar
Return force to min height	≤ 200 N
Overall weight	0.48 kg

Vibration isolation - dynamic characteristic values

Design height H: recommended 90mm, minimum 80mm

Pressure p [bar]	3	4	5	6	7	8	Vol. V [l]
Force (Load) [kN]	0.7	0.9	1.1	1.4	1.6	1.9	0.16
Spring rate [N/mm]	40	49	57	66	75	83	
Natural frequency [Hz]	4.0	3.8	3.6	3.5	3.5	3.4	

Pneumatic application - static characteristic values

Force F [kN]

Pressure p [bar]	3	4	5	6	7	8	Vol. V [l]	
Height H [mm]	100	0.44	0.63	0.82	1.02	1.23	1.44	0.17
	90	0.66	0.91	1.15	1.39	1.65	1.9	0.16
	80	0.85	1.14	1.42	1.71	2	2.29	0.13
	70	1.02	1.35	1.68	2.01	2.35	2.7	0.1


 Service instructions
 M6: max. 5 Nm
 G1/4: max. 15 Nm

Measuring procedure: Room temperature / Force-height-data quasistatic / Dynamic data at 1 Hz