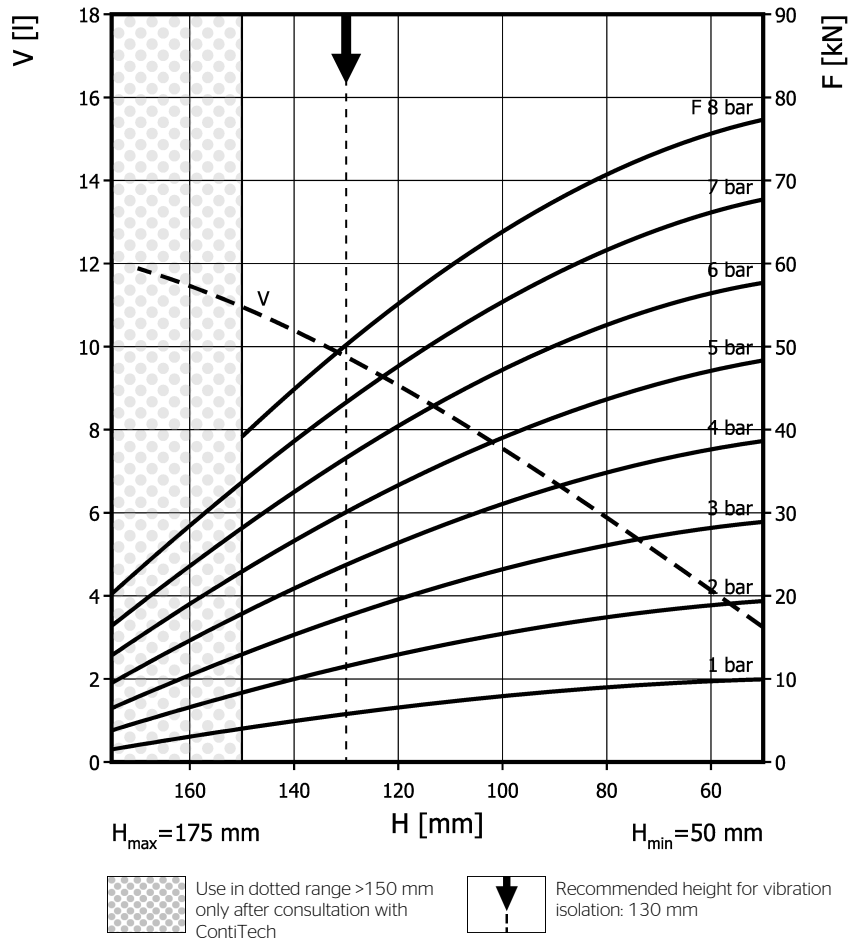
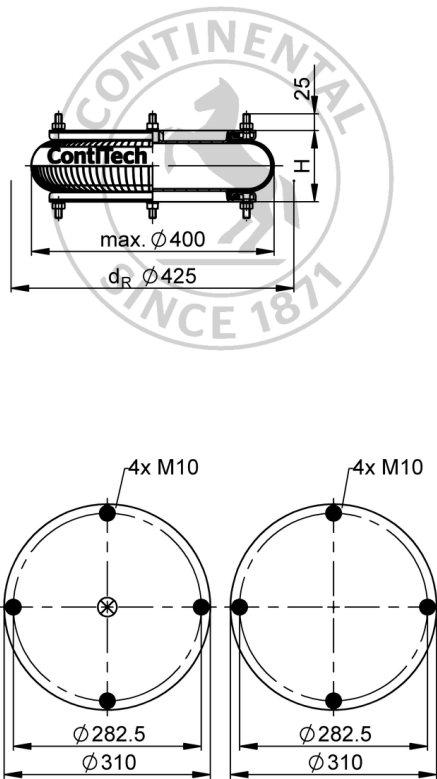


## FS 614-13 DS

## Single Convolution Air Actuator



## Purchase order data

Type	Order No.
rubber bellows only	68043
with dismountable plates, G1/2 air inlet	68045

Additional types on request

## Technical data

Min. pressure	0 bar
Return force to min height	≤ 230 N
Overall weight	7.1 kg

**Vibration isolation - dynamic characteristic values**

Design height H: recommended 130mm, minimum 110mm

Pressure p [bar]	3	4	5	6	7	8	Vol. V [l]
Force (Load) [kN]	17.5	23.7	30.1	36.6	43.3	50.2	
Spring rate [N/mm]	428.5	558	684.5	804	922	1039	
Natural frequency [Hz]	2.5	2.4	2.4	2.4	2.3	2.3	

**Pneumatic application - static characteristic values**

Force F [kN]

Pressure p [bar]	3	4	5	6	7	8	Vol. V [l]
Height H [mm]	150	12.9	17.8	22.8	28.1	33.5	
	130	17.5	23.7	30.1	36.6	43.3	9.8
	100	23.2	31.1	39	47.2	55.4	7.6
	80	26.2	34.9	43.8	52.7	61.7	5.9
	60	28.2	37.5	46.9	56.4	65.9	4.1


 Service instructions  
 M10: max. 25 Nm  
 G1/2: max. 25 Nm

**Measuring procedure:** Room temperature / Force-height-data quasistatic / Dynamic data at 1 Hz