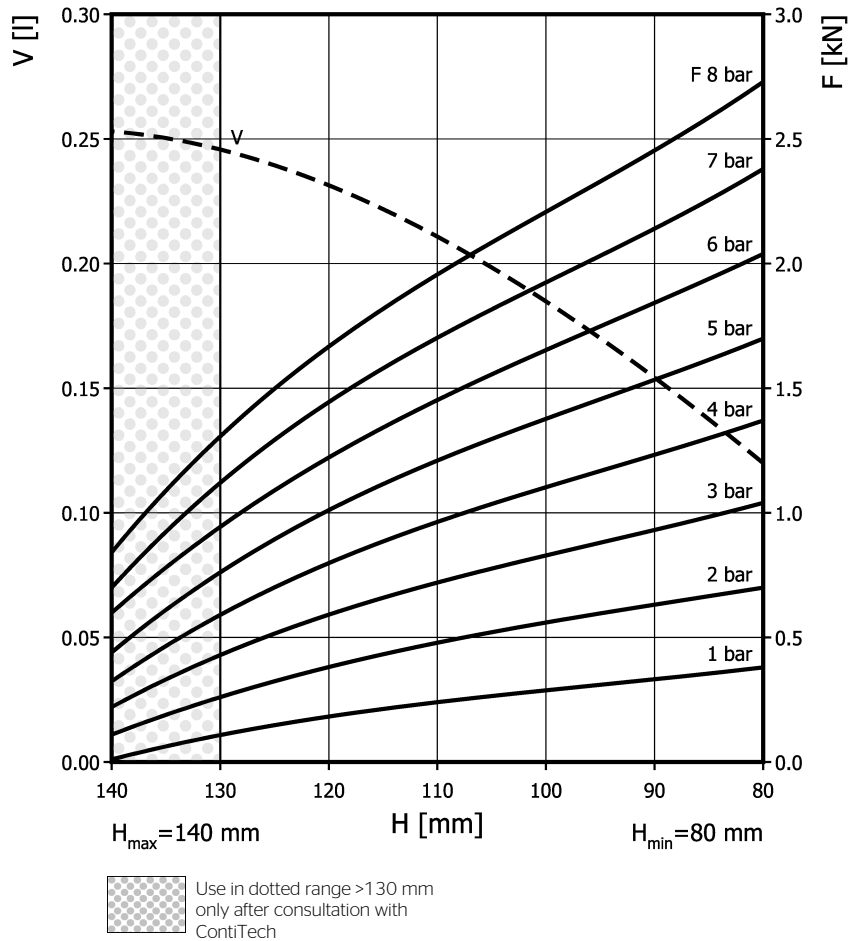
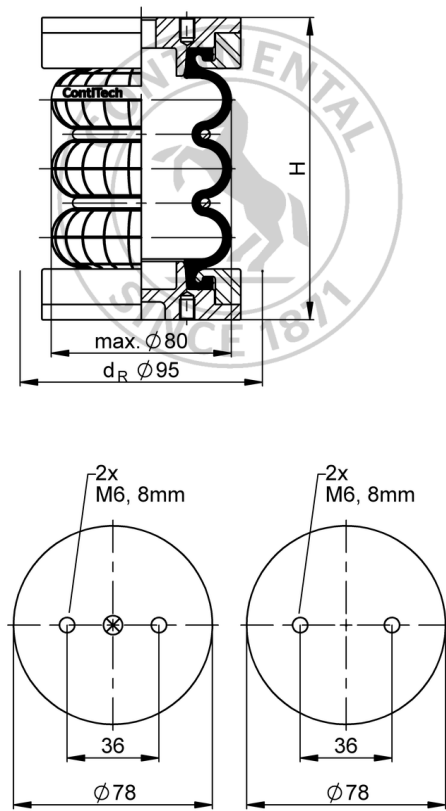


FT 22-6 DI CR

Triple Convolution Air Actuator



Purchase order data

Type	Order No.
rubber bellows only	79454
CR-Rubber bellows, with dismountable aluminium plates, G1/4 air inlet	69320

Additional types on request

Technical data

Min. pressure	0 bar
Return force to min height	≤ 100 N
Overall weight	0.53 kg

Pneumatic application - static characteristic values

Force F [kN]								
Pressure p [bar]		3	4	5	6	7	8	Vol. V [l]
Height H [mm]	130	0.43	0.6	0.76	0.94	1.12	1.31	0.25
	110	0.72	0.96	1.21	1.46	1.71	1.96	0.21
	90	0.93	1.23	1.53	1.84	2.14	2.45	0.15



Service instructions
 M6: max. 5 Nm
 G1/4: max. 15 Nm

Measuring procedure: Room temperature / Force-height-data quasistatic / Dynamic data at 1 Hz