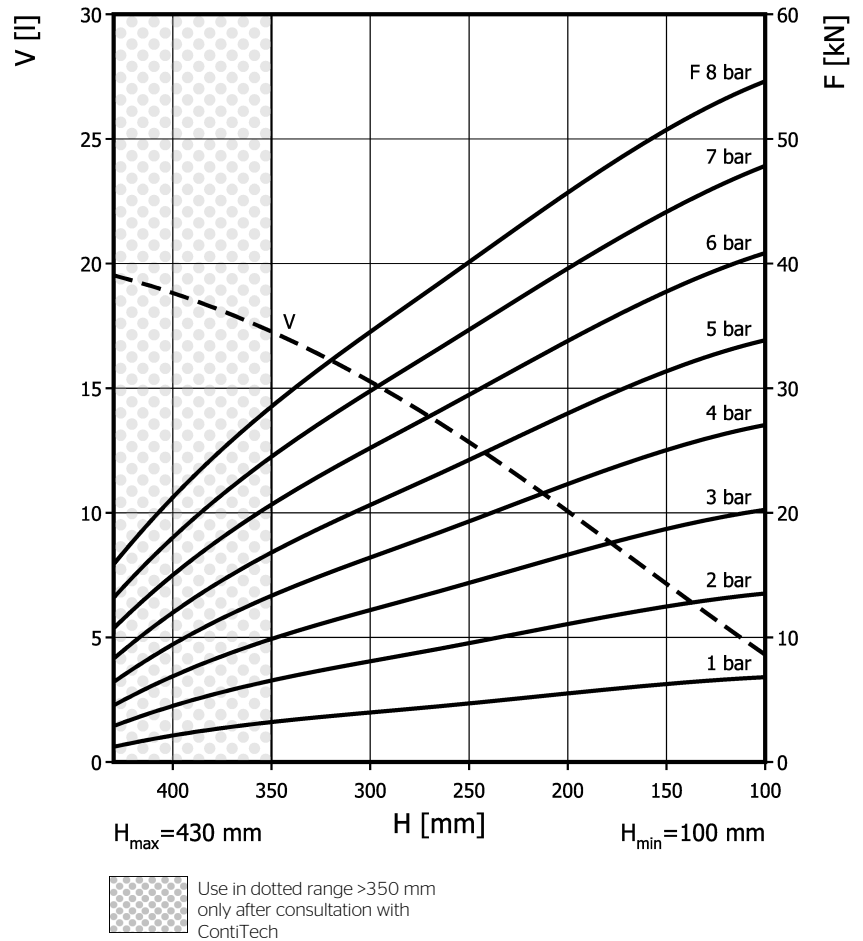
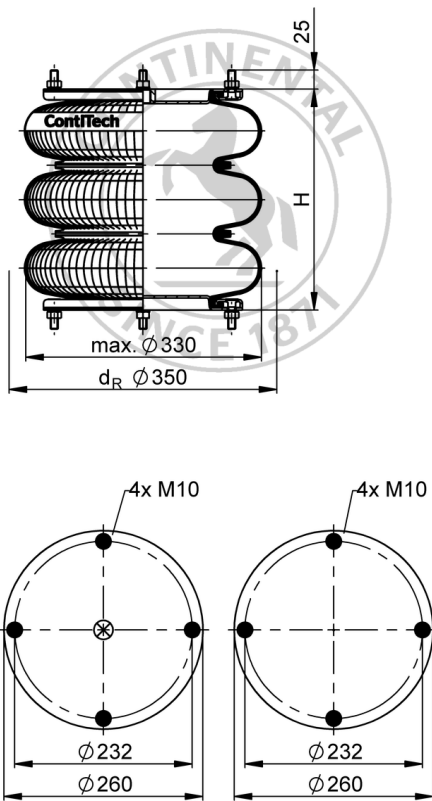


FT 412-32 DS

Triple Convolution Air Actuator



Purchase order data

Type	Order No.
rubber bellows only	66338
with dismantlable plates, G1/2 air inlet	66339

Additional types on request

Technical data

Min. pressure	0 bar
Return force to min height	≤ 250 N
Overall weight	6.9 kg

Pneumatic application - static characteristic values

Force F [kN]								
Pressure p [bar]		3	4	5	6	7	8	Vol. V [l]
Height H [mm]	350	9.76	13.2	16.7	20.5	24.3	28.4	17
	300	12.3	16.5	20.8	25.3	29.9	34.7	15
	250	14.4	19.3	24.2	29.4	34.5	39.9	13
	200	16.4	22	27.7	33.5	39.4	45.6	10
	150	18.8	25.1	31.4	37.8	44.2	50.7	7.2



Service instructions
 M10: max. 25 Nm
 G1/2: max. 25 Nm

Measuring procedure: Room temperature / Force-height-data quasistatic / Dynamic data at 1 Hz