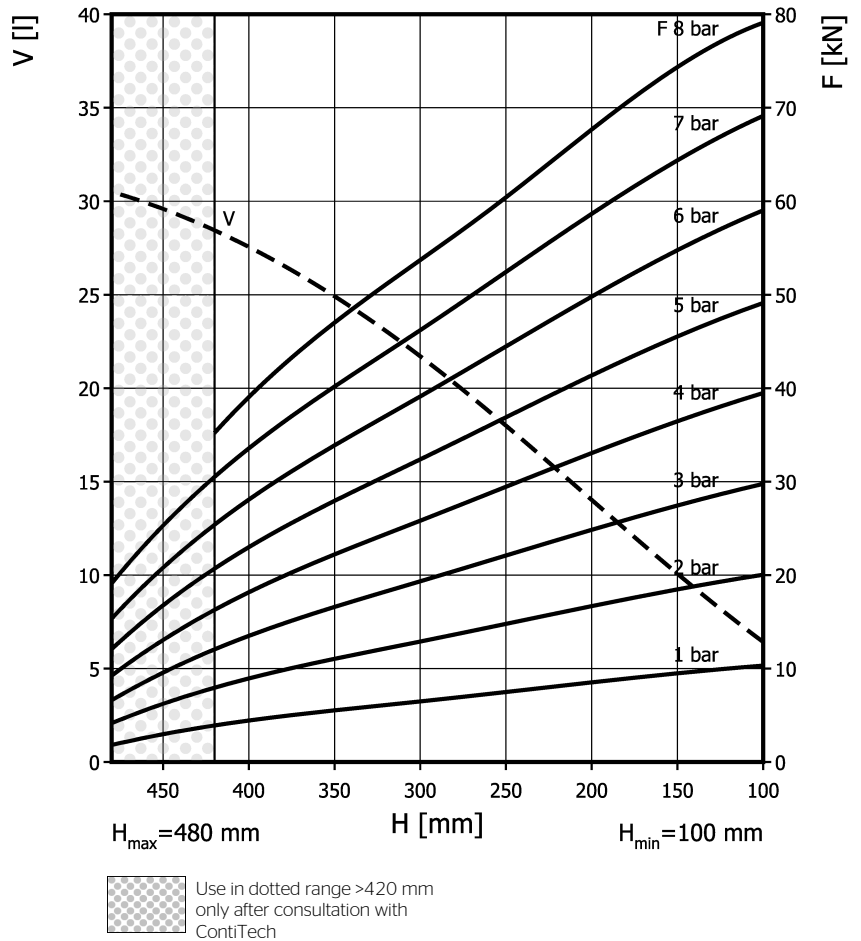
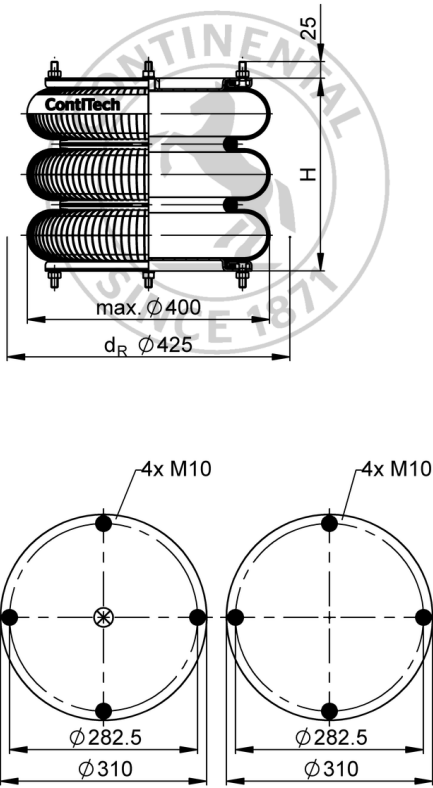


FT 614-36 DS

Triple Convolution Air Actuator



Purchase order data
Technical data

Type	Order No.
rubber bellows only	68044
with dismountable plates, G1/2 air inlet	68047

Additional types on request

Min. pressure	0 bar
Return force to min height	≤ 330 N
Overall weight	9.6 kg

Pneumatic application - static characteristic values

Force F [kN]								
Pressure p [bar]		3	4	5	6	7	8	Vol. V [l]
Height H [mm]	400	13.3	18	22.8	27.9	33.3	38.9	28
	420	11.8	16	20.4	25	30.1	35.3	28
	350	16.7	22.4	28.2	34.2	40.5	46.9	25
	300	19.4	26	32.5	39.3	46.3	53.5	22
	250	21.8	29	36.4	43.8	51.7	60.5	18
	200	24.7	32.9	41.1	49.6	58.5	67.4	14
	150	27.6	36.6	45.7	55	64.6	74.2	10

Service instructions
M10: max. 25 Nm
G1/2: max. 25 Nm

Measuring procedure: Room temperature / Force-height-data quasistatic / Dynamic data at 1 Hz