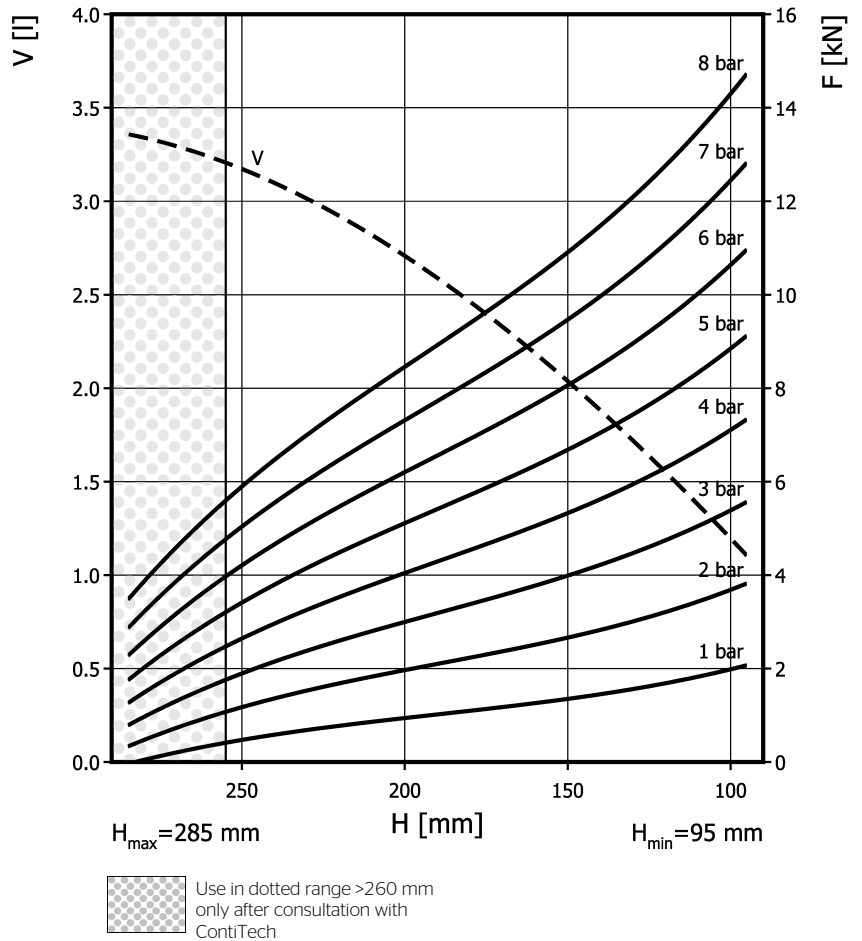
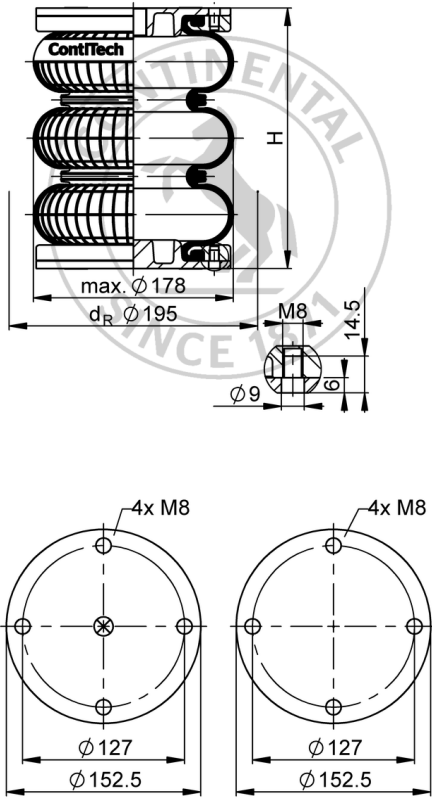


FT 76-20 DI CR

Triple Convolution Air Actuator



Purchase order data

Type	Order No.
rubber bellows only	79425
CR-Rubber bellows, with dismountable aluminium plates, G1/2 air inlet	70209

Additional types on request

Technical data

Min. pressure	0 bar
Return force to min height	≤ 250 N
Overall weight	2 kg

Pneumatic application - static characteristic values

Force F [kN]								
Pressure p	[bar]	3	4	5	6	7	8	Vol. V [l]
Height H [mm]	260	1.75	2.46	3.19	3.95	4.74	5.56	3.2
	220	2.69	3.65	4.63	5.64	6.67	7.74	2.9
	180	3.51	4.71	5.93	7.17	8.43	9.71	2.4
	140	4.27	5.69	7.12	8.6	10.1	11.7	1.8
	100	5.55	7.32	9.1	10.9	12.8	14.7	1.1



Service instructions
M8: max. 12 Nm
G1/2: max. 25 Nm

Measuring procedure: Room temperature / Force-height-data quasistatic / Dynamic data at 1 Hz