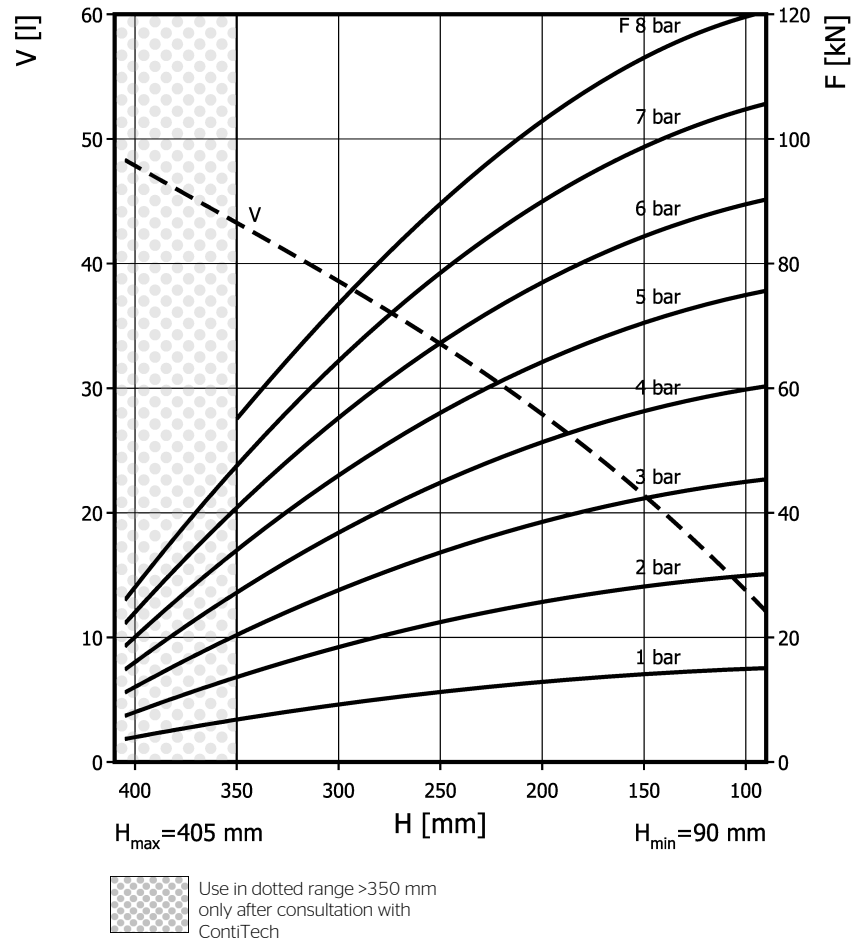
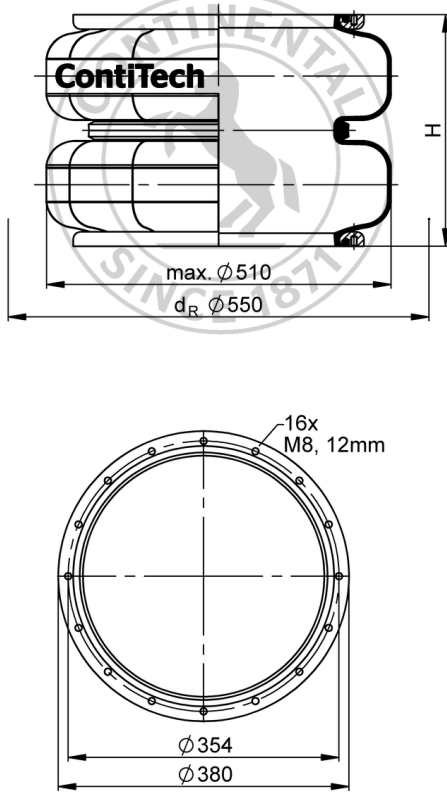


FD 1120-30 RI

Double Convolution Air Actuator



Purchase order data

Type	Order No.
rubber bellows only	71980
with steel bead rings	2682898001

Additional types on request

Technical data

Min. pressure	0 bar
Return force to min height	≤ 300 N
Overall weight	15.2 kg

Pneumatic application - static characteristic values

Force F [kN]								
Pressure p [bar]		3	4	5	6	7	8	Vol. V [l]
Height H [mm]	330	23.5	31.3	39.2	47	54.8	62.7	42
	270	31.3	41.7	52.2	62.6	73	83.6	36
	210	37.5	50	62.5	75	87.6	100	29
	150	42.5	56.7	70.8	85	99.2	113	22
	90	45	60	75	90	105	120	12



Service instructions
M8: max. 25 Nm

Measuring procedure: Room temperature / Force-height-data quasistatic / Dynamic data at 1 Hz