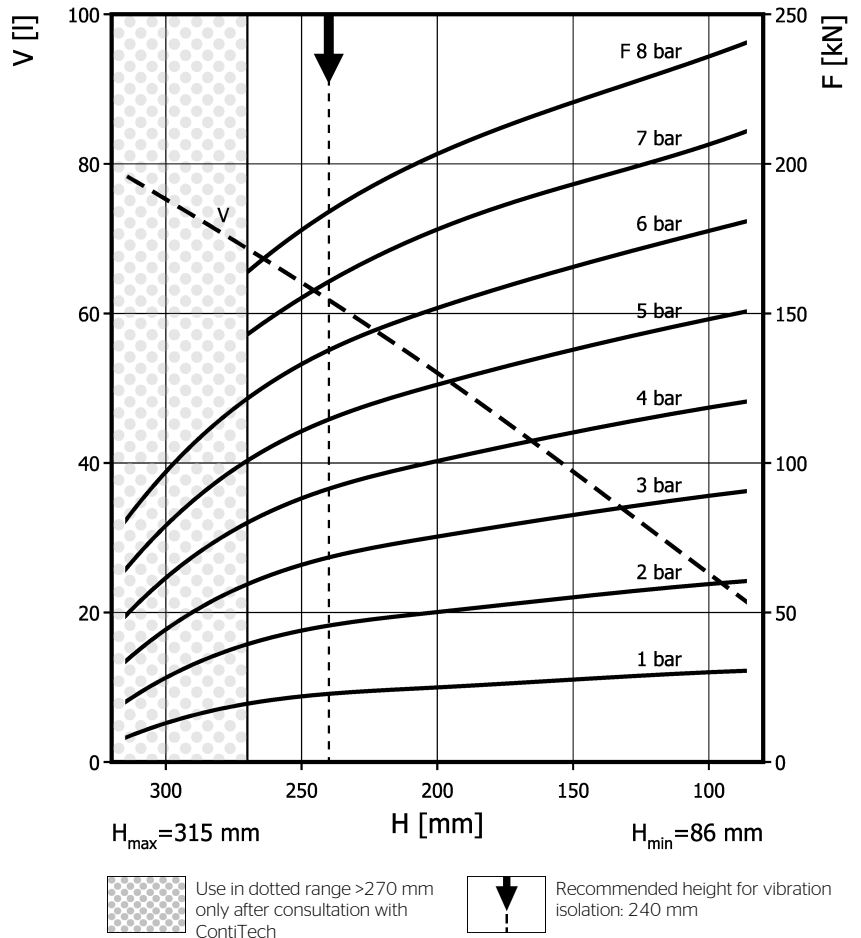
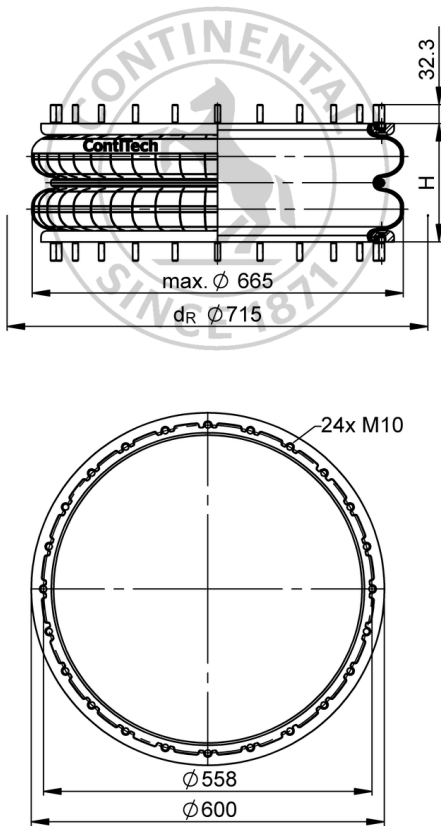


FD 2380-24 RS

Double Convolution Air Actuator



Purchase order data

Type	Order No.
rubber bellows only	61781
with bead rings, 48mm bolts, nuts and washers	61906

Additional types on request

Technical data

Min. pressure	0 bar
Return force to min height	≤ 445 N
Overall weight	14.1 kg

Vibration isolation - dynamic characteristic values

Design height H: recommended 240mm, minimum 220mm

Pressure p [bar]	3	4	5	6	7	8	Vol. V [l]
Force (Load) [kN]	69.2	90.5	114.9	137.6	161.4	186.1	
Spring rate [N/mm]	722	905	1112	1299	1492	1695	
Natural frequency [Hz]	1.6	1.6	1.6	1.5	1.5	1.5	

Pneumatic application - static characteristic values

Force F [kN]

Pressure p [bar]	3	4	5	6	7	8	Vol. V [l]
Height H [mm]	260	62.7	83.8	106	127	149	
	240	68	90.7	114	137	161	62
	200	74.8	100	126	151	179	52
	160	81.4	108	136	163	191	42
	120	86.1	115	144	172	201	31


 Service instructions
 M10: max. 40 Nm

Measuring procedure: Room temperature / Force-height-data quasistatic / Dynamic data at 1 Hz