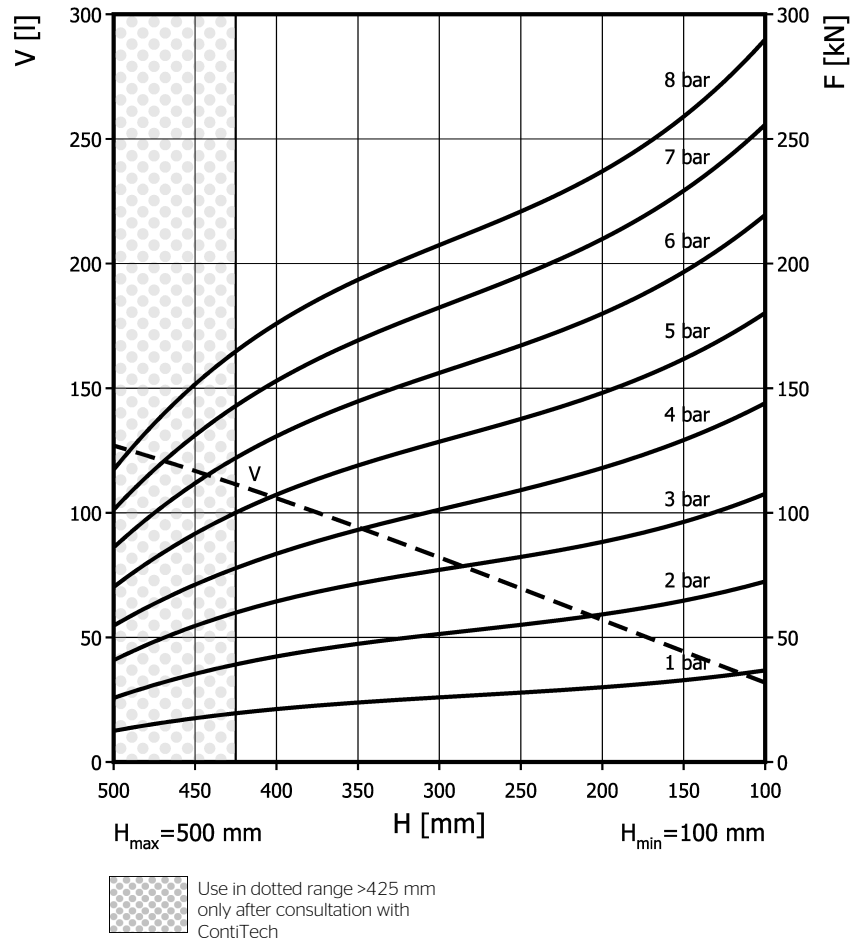
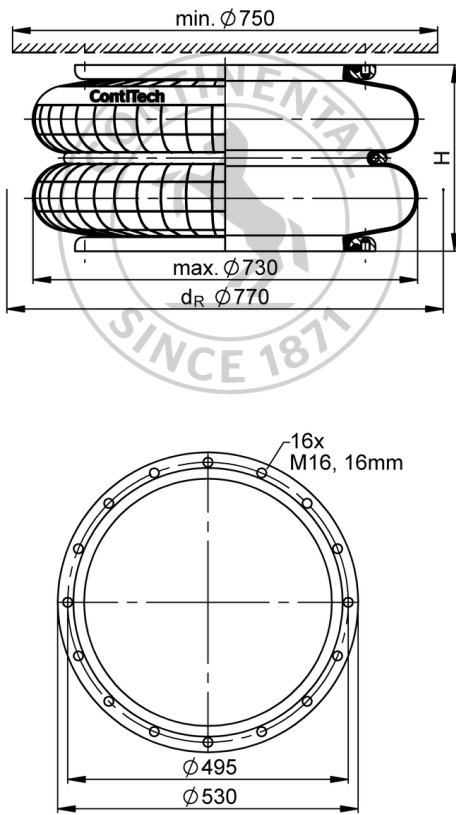


FD 2470-40 RI

Double Convolution Air Actuator



Purchase order data

Type	Order No.
with steel bead rings	2682898003
rubber bellows only	60426

Additional types on request

Technical data

Min. pressure	0 bar
Return force to min height	≤ 1700 N
Overall weight	33.2 kg

Pneumatic application - static characteristic values

Force F [kN]								
Pressure p [bar]		3	4	5	6	7	8	Vol. V [l]
Height H [mm]	500	41.4	55.1	70.8	86.8	102	119	130
	400	63.6	83.1	107	130	152	174	110
	300	78.9	103	131	158	185	211	82
	200	86.7	116	147	178	208	234	57
	100	108	145	181	220	256	291	32


 Service instructions
 M16: max. 100 Nm

Measuring procedure: Room temperature / Force-height-data quasistatic / Dynamic data at 1 Hz