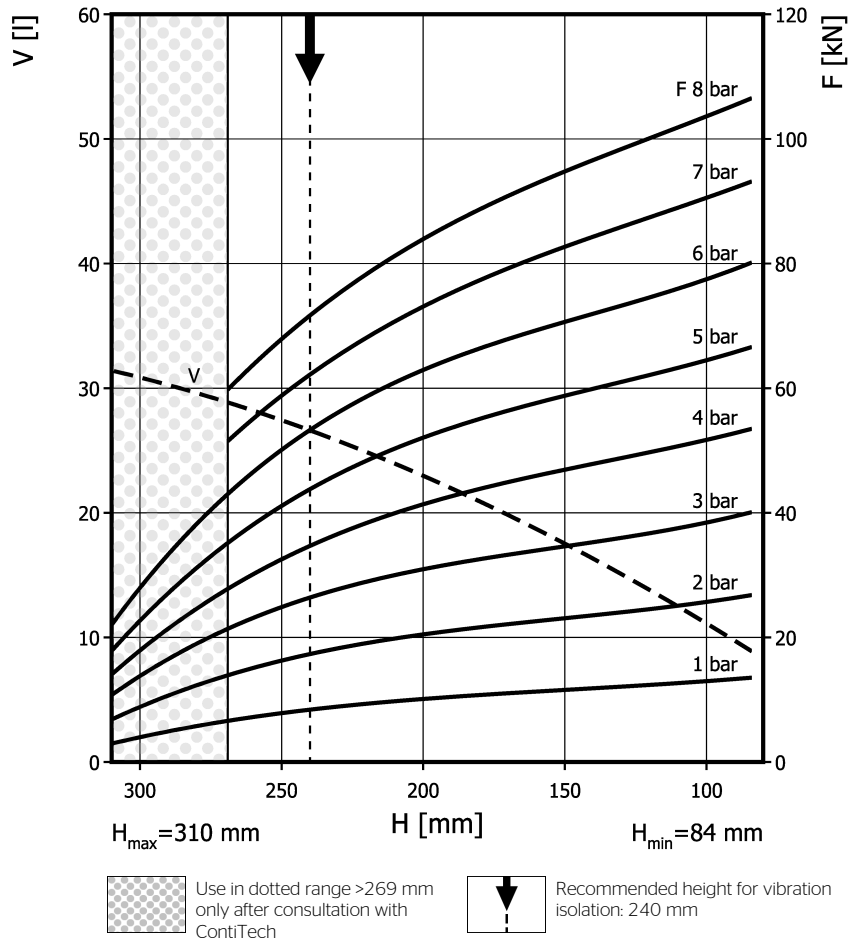
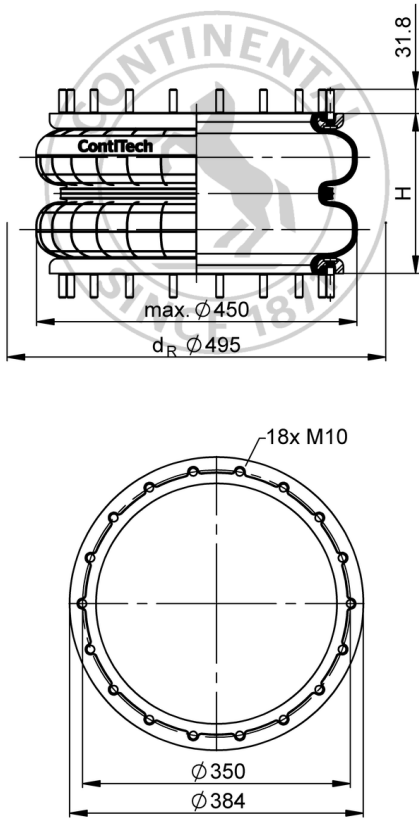


FD 960-22 RS

Double Convolution Air Actuator



Purchase order data

Type	Order No.
rubber bellows only	61776
with bead rings, 48mm bolts, nuts and washers	61903

Additional types on request

Technical data

Min. pressure	0 bar
Return force to min height	≤ 200 N
Overall weight	8.6 kg

Vibration isolation - dynamic characteristic values

Design height H: recommended 240mm, minimum 220mm

Pressure p [bar]	3	4	5	6	7	8	Vol. V [l]
Force (Load) [kN]	27.4	35.2	45.6	54.6	63.1	71.5	
Spring rate [N/mm]	312	390	477	560	646	731	
Natural frequency [Hz]	1.7	1.7	1.6	1.6	1.6	1.6	

Pneumatic application - static characteristic values

Force F [kN]

Pressure p [bar]	3	4	5	6	7	8	Vol. V [l]	
Height H [mm]	220	28.7	38.1	48.2	58.1	68.2		78.5
	200	30.9	41	51.9	62.9	73.1	84.1	23
	180	32.2	43.8	54.8	66.2	77.2	88.6	21
	160	33.9	46	57.7	69.5	81.1	92.9	19
	140	35.5	47.6	59.8	71.9	84.3	96.5	16
	120	37.3	50.1	62.3	74.7	87.4	100	14
	100	38.6	52.2	64.8	77.8	90.8	104	11



Service instructions
M10: max. 40 Nm

Measuring procedure: Room temperature / Force-height-data quasistatic / Dynamic data at 1 Hz