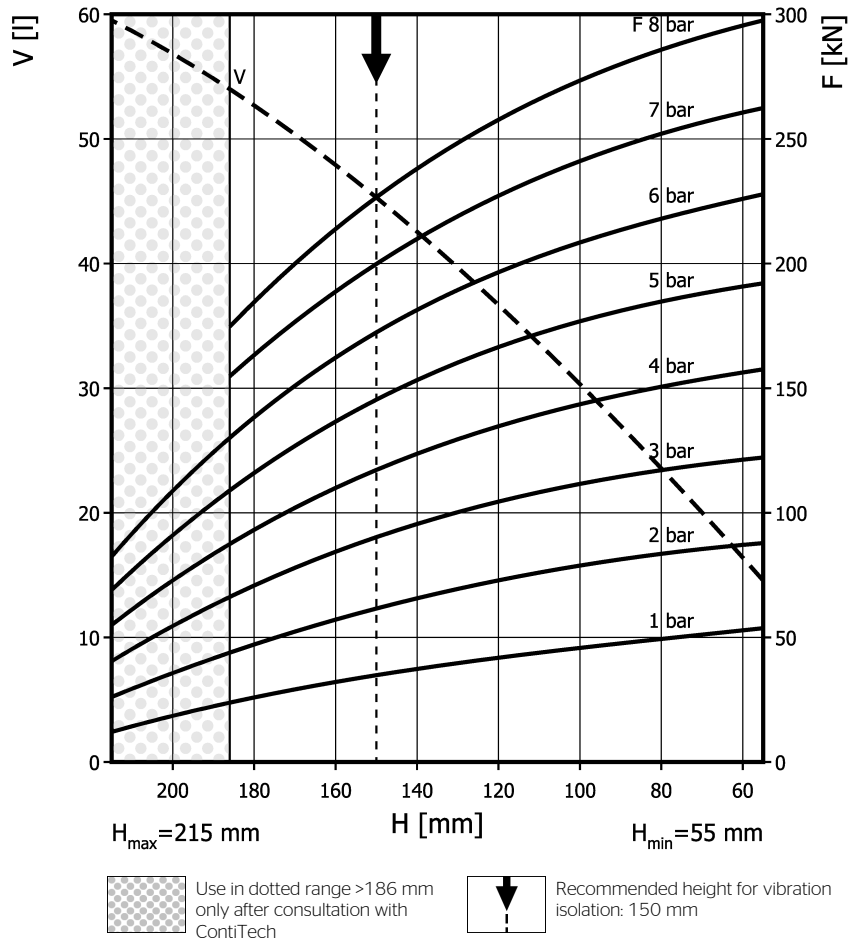
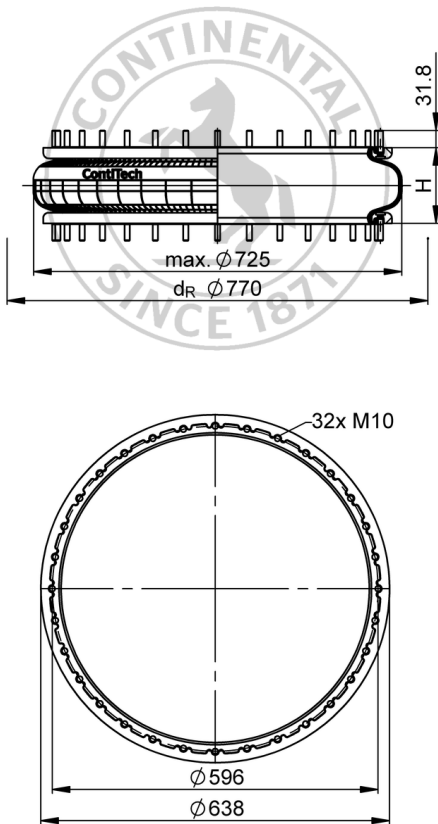


FS 2870-16 RS

Single Convolution Air Actuator



Purchase order data

Type	Order No.
rubber bellows only	61788
with bead rings, 48mm bolts, nuts and washers	61901

Additional types on request

Technical data

Min. pressure	0 bar
Return force to min height	≤ 670 N
Overall weight	11.1 kg

Vibration isolation - dynamic characteristic values

Design height H: recommended 150mm, minimum 130mm

Pressure p [bar]	3	4	5	6	7	8	Vol. V [l]
Force (Load) [kN]	88.7	116.9	145.2	173.2	202.1	224.9	45
Spring rate [N/mm]	1406	1762	2137	2483	2845	3140	
Natural frequency [Hz]	2.0	2.0	1.9	1.9	1.9	1.8	

Pneumatic application - static characteristic values

Force F [kN]

Pressure p [bar]	3	4	5	6	7	8	Vol. V [l]
Height H [mm]	180	70.7	93.8	117	140	164	53
	160	82.9	108	136	161	188	48
	140	94	123	152	181	209	42
	120	105	135	166	196	229	37
	100	112	144	178	209	241	30
	80	118	151	185	218	251	24
	60	121	157	191	226	261	17


 Service instructions
 M10: max. 40 Nm

Measuring procedure: Room temperature / Force-height-data quasistatic / Dynamic data at 1 Hz