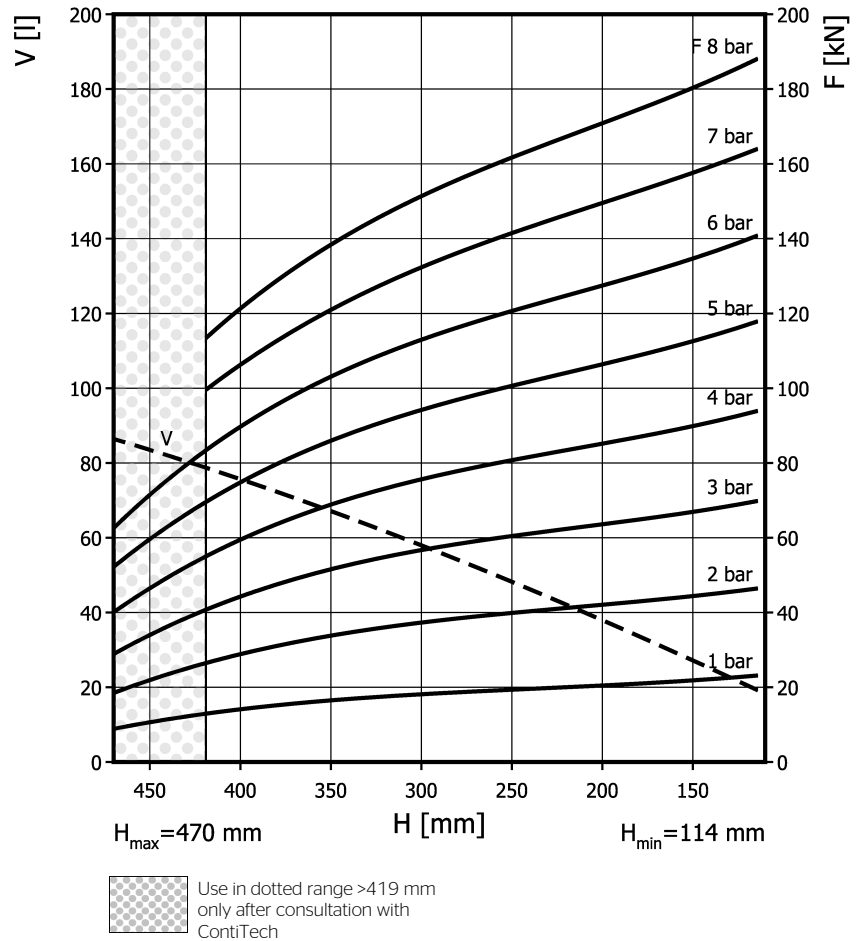
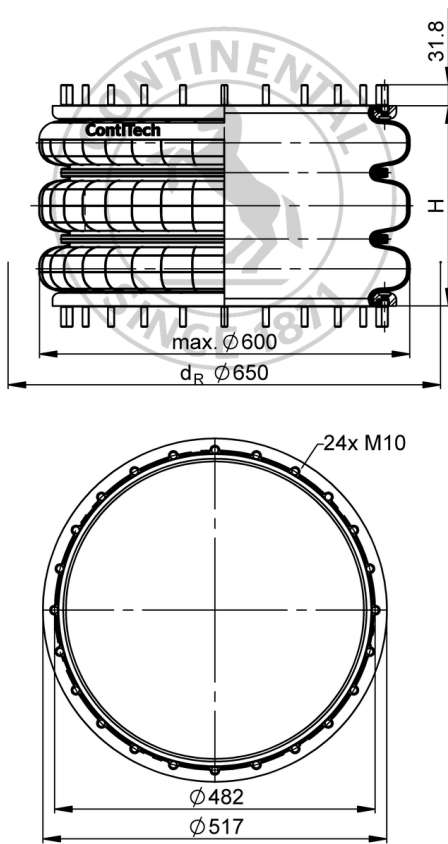


FT 1710-38 RS

Triple Convolution Air Actuator



Purchase order data

Type	Order No.
rubber bellows only	61784
with bead rings, 48mm bolts, nuts and washers	61911

Additional types on request

Technical data

Min. pressure	0 bar
Return force to min height	≤ 400 N
Overall weight	14.5 kg

Pneumatic application - static characteristic values

Force F [kN]								
Pressure p [bar]		3	4	5	6	7	8	Vol. V [l]
Height H [mm]	390	45.3	61.8	77.3	93.3	110	125	74
	350	51.3	68.9	85.3	103	121	139	67
	310	56.5	74	92.3	111	130	149	60
	270	59.8	78.7	98.1	118	138	158	52
	230	61.1	82.6	103	123	144	165	44
	190	63.9	86.2	108	129	151	172	36
	150	67.5	90.4	113	135	159	182	27


 Service instructions
 M10: max. 40 Nm

Measuring procedure: Room temperature / Force-height-data quasistatic / Dynamic data at 1 Hz