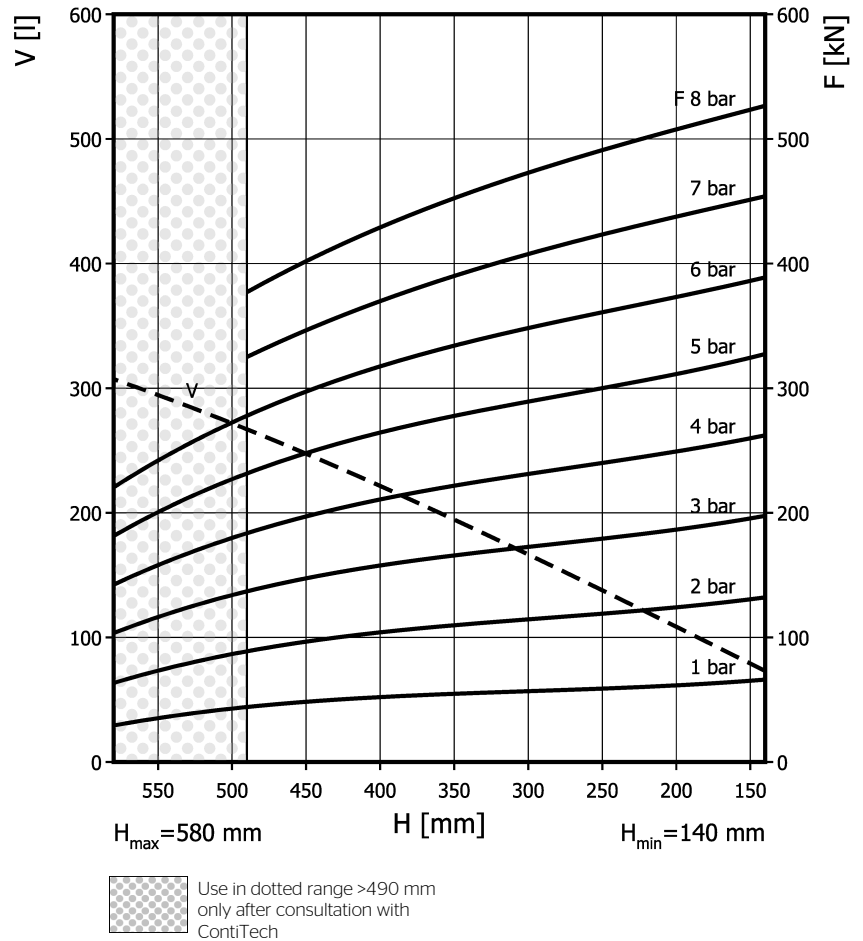
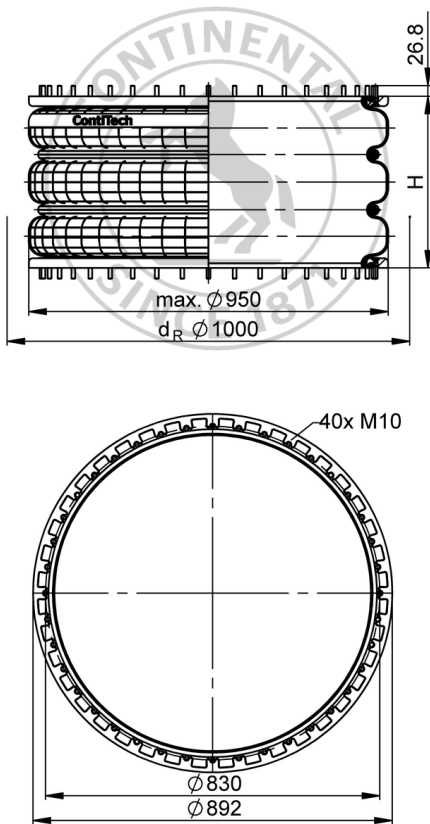


FT 5450-44 RS

Triple Convolution Air Actuator



Purchase order data

| | |
|---|-----------|
| Type | Order No. |
| rubber bellows only | 61787 |
| with bead rings, 48mm bolts, nuts and washers | 61913 |

Additional types on request

Technical data

| | |
|----------------------------|-----------------------|
| Min. pressure | 0 bar |
| Return force to min height | $\leq 7500 \text{ N}$ |
| Overall weight | 44 kg |

Pneumatic application - static characteristic values

| Force F [kN] | | | | | | | | |
|------------------|-----|-----|-----|-----|-----|-----|-----|------------|
| Pressure p [bar] | | 3 | 4 | 5 | 6 | 7 | 8 | Vol. V [l] |
| Height H [mm] | 490 | 138 | 185 | 232 | 278 | 325 | 377 | 270 |
| | 440 | 148 | 198 | 250 | 300 | 351 | 407 | 240 |
| | 360 | 163 | 219 | 274 | 330 | 386 | 448 | 200 |
| | 280 | 176 | 235 | 293 | 354 | 414 | 480 | 160 |
| | 200 | 187 | 250 | 313 | 375 | 439 | 509 | 110 |


 Service instructions
 M10: max. 40 Nm

Measuring procedure: Room temperature / Force-height-data quasistatic / Dynamic data at 1 Hz