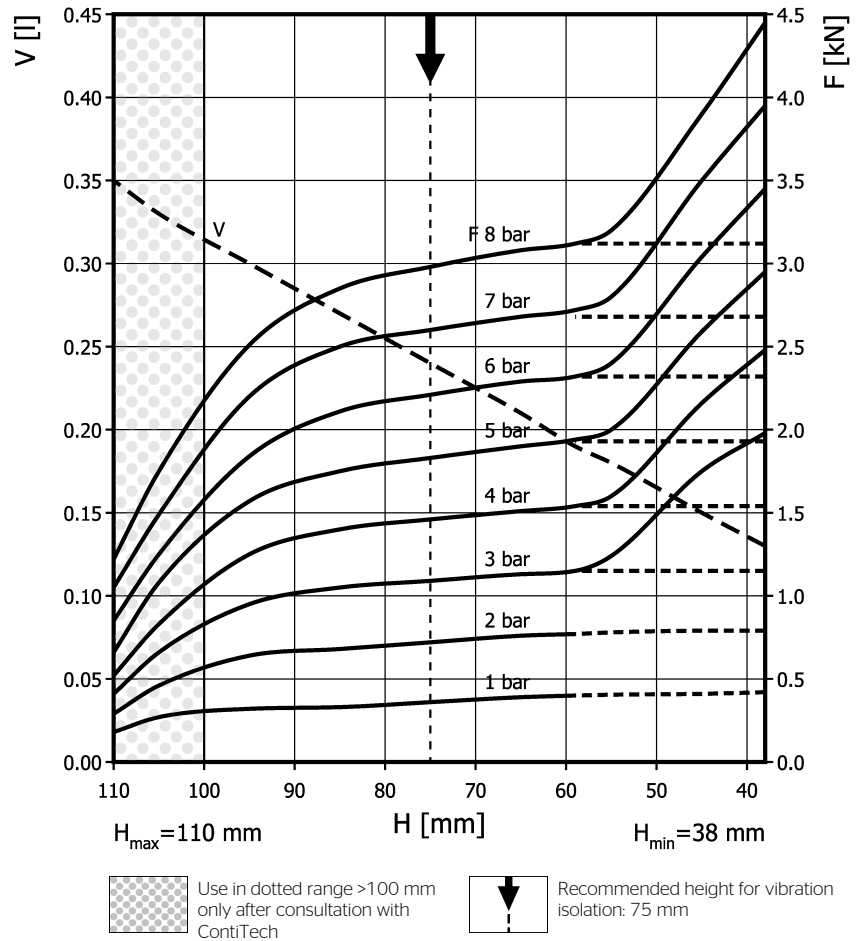
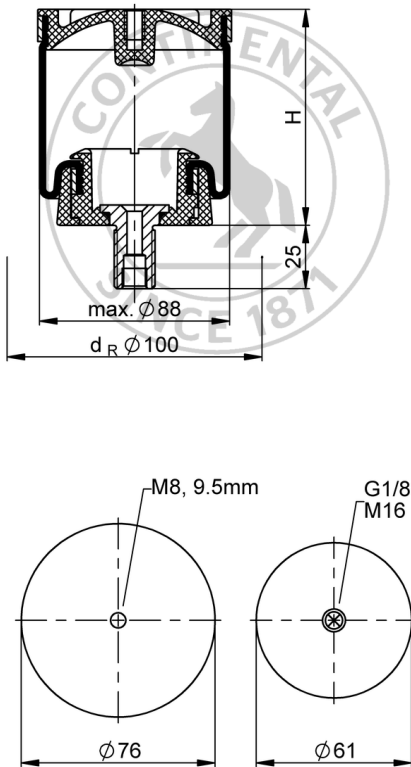


SK 37-8 P02

Sleeve Type Air Actuator



Purchase order data

Type	Order No.
with brass stud, G1/8 air inlet A = 0 mm excentrical	63334

Additional types on request

Technical data

Min. pressure	0 bar
Return force to min height	≤ 150 N
Overall weight	0.3 kg

Vibration isolation - dynamic characteristic values

Design height H: recommended 75mm, guidance in lateral direction required

Pressure p [bar]	3	4	5	6	7	8	Vol. V [l]
Force (Load) [kN]	1.1	1.5	1.8	2.2	2.6	3	
Spring rate [N/mm]	30.2	37.4	43.2	49.7	55.2	61.5	
Natural frequency [Hz]	2.6	2.6	2.5	2.4	2.4	2.3	

Pneumatic application - static characteristic values

Force F [kN]

Pressure p [bar]	3	4	5	6	7	8	Vol. V [l]	
Height H [mm]	95	1.25	1.57	1.84	2.2	2.51		0.3
	85	1.05	1.4	1.75	2.11	2.5		0.27
	75	1.09	1.46	1.83	2.21	2.6		0.24
	65	1.13	1.51	1.9	2.29	2.68	0.21	



Service instructions
 M16: max. 14 Nm
 M8: max. 5 Nm
 G1/8: max. 25 Nm

Measuring procedure: Room temperature / Force-height-data quasistatic / Dynamic data at 1 Hz