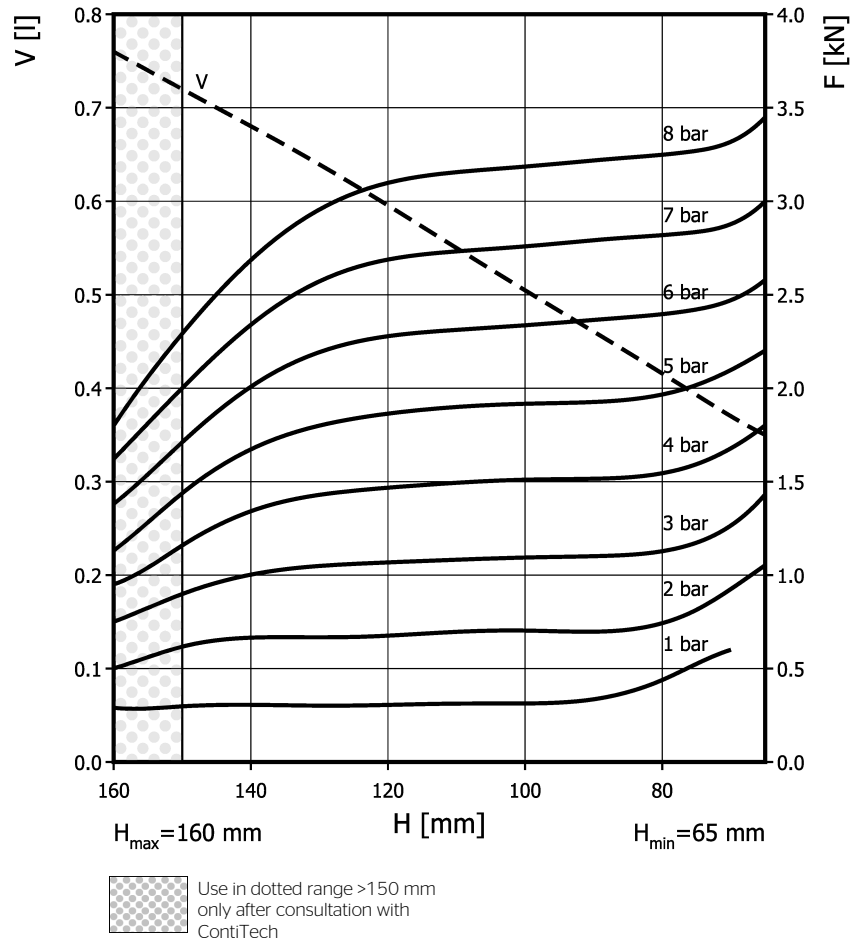
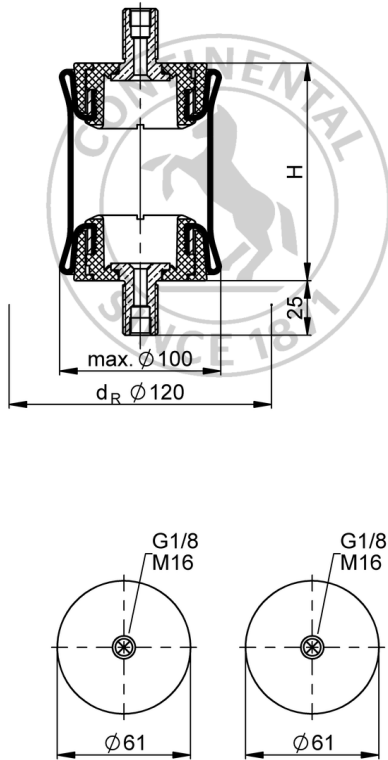


## SZ 37-10 P02

## Sleeve Type Air Actuator



## Purchase order data

Type	Order No.
CR-Rubber bellows, with brass stud, G1/8 air inlet A = 0 mm excentrical	74013

Additional types on request

## Technical data

Min. pressure	0.9 bar
Return force to min height	≤ 440 N
Overall weight	0.35 kg

## Pneumatic application - static characteristic values

Force F [kN]		3	4	5	6	7	8	Vol. V [l]
Pressure p [bar]	150	0.9	1.16	1.44	1.71	2	2.29	0.72
	130	1.05	1.43	1.8	2.19	2.57	2.95	0.64
	110	1.08	1.49	1.89	2.31	2.73	3.16	0.55
	90	1.11	1.52	1.93	2.36	2.79	3.22	0.46
	70	1.27	1.68	2.1	2.47	2.88	3.32	0.37



Service instructions  
 M16: max. 14 Nm  
 G1/8: Handtight plus one turn

Measuring procedure: Room temperature / Force-height-data quasistatic / Dynamic data at 1 Hz