

# EI Series Air Preparation Unit



## How to Order?

Series No.	Type Code	Body Size	Combination	QTY	Port Size	Drain Type	Pressure Gauge Code	Bracket Code	Scale Unit	Filter Precision	Thread Type
EI: Square gauge series	C: Filter+regulator+lubricator W: Filter+regulator F: Filter R: Regulator L: Lubricator	20: 2000 body 30: 3000 body 40: 4000 body 50: 5000 body	10: Two units (Regulator+Lubricator) 00: Others	2000 01: 1/8" 02: 1/4" 3000 02: 1/4" 03: 3/8"	4000 04: 1/2" 5000 06: 3/4" 10: 1"	Blank: Manual drain type C: Semi-auto drain D: Auto Drain type	Blank: With pressure gauge N: No pressure gauge	Blank: With bracket J: No bracket	1: Mpa 2: Bar *3: Psi (*Need special made)	Blank: 25 μm 5M: 5 μm	Blank: G P: PT T: NPT

### Order Example:

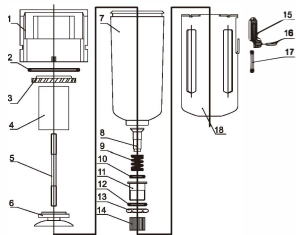
EI series regulator, 2000 body size, 1/8 port size, with pressure gauge, Mpa pressure unit, G thread, ERP code is: EIR2000-01 1

Note: ①2000series is optional for manual /auto drain type;

Standard 3000/4000/5000series are optional for manual/semi-auto/semi-auto integrated drain type.

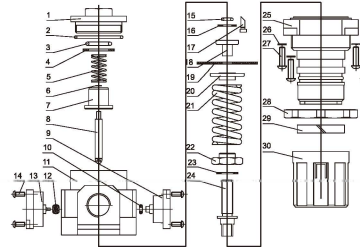
## Air Preparation Unit Kits

### EIF3000



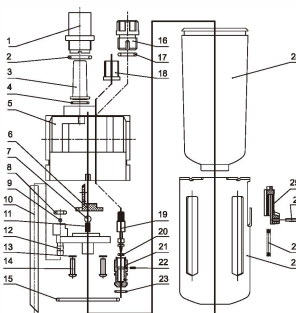
NO.	NAME	QTY	MATERIAL
18	Lock	1	ABS
17	Pin	1	ABS
16	Spring	1	Stainless steel
15	Metal bowl	1	Steel plate
14	Nut	1	HPb59-1
13	Hexagon Nut	1	HPb59-1
12	O-ring	1	NBR
11	Drain valve seat	1	HPb59-1
10	O-ring	1	NBR
9	Spring	1	Stainless steel
8	Drain valve core	1	HPb59-1
7	Water cup	1	HPb59-1
6	Drain board	1	ABS
5	Cross bolt	1	Carbon steel
4	Filter element	1	Cu
3	Blade	1	ABS
2	O-ring	1	NBR
1	Filter body	1	ADC12

### EIR3000



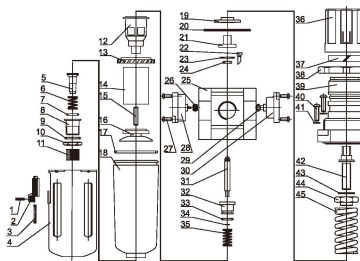
NO.	NAME	QTY	MATERIAL
30	Regulate handle	1	Reinforce nylon
29	Symbol ring	1	Reinforce nylon
28	plastic combination	1	POM
27	Cross screw	4	Carbon steel
26	Spring washer	4	Carbon steel
25	Regulator Body	1	Aluminum
24	Regulate bolt	1	Carbon steel
23	Washer	1	POM
22	Regulate Nut	1	Carbon steel
21	Spring	1	Stainless steel
20	Diaphragm Pallet	1	Carbon steel
19	Diaphragm	1	NBR
18	Diaphragm seat	1	Brass
17	Pipe	1	POM
16	Retainer ring	1	Steel plate
15	O-ring	1	NBR
14	Cross screw	4	Carbon steel
13	Plastic connector	1	POM
12	Seal	1	NBR
11	Regulator body	1	Aluminum
10	Seal	1	NBR
9	Compression	1	ADC12
8	Spool	1	Brass-NBR
7	Valve core	1	Brass
6	Retainer ring	1	Steel plate
5	Spring	1	Stainless steel
4	Retainer ring	1	Steel plate
3	O-ring	1	NBR
2	O-ring	1	NBR
1	Regulator seal	1	ZZnAl4-1

### EIL3000



NO.	NAME	QTY	MATERIAL
28	Oil cup	1	Polycarbonate
27	Lock	1	ABS
26	Pin	1	ABS
25	Spring	1	Stainless steel
24	Metal bowl	1	Steel plate
23	O-ring	1	NBR
22	Pin	1	Q235
21	Oil regulate seat	1	HPb59-1
20	O-ring	1	NBR
19	Oil regulate needle	1	HPb59-1
18	Oil regulate pointer	1	ABS
17	O-ring	1	NBR
16	Plug	1	ABS
15	O-ring	1	NBR
14	Cross screw	2	Q235
13	Spring washer	2	65Mn
12	One way valve plate	1	POM
11	Spring	1	Stainless steel
10	PU tube	1	PU tube
9	Steel ball	1	Q235
8	O-ring	1	NBR
7	Steel ball	1	Q235
6	Reed	1	Polycarbonate
5	Lubricator body	1	ADC12
4	O-ring	1	NBR
3	Oil droptube	1	Polycarbonate
2	O-ring	1	NBR
1	Oil window	1	Polycarbonate

### EIW3000

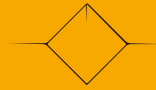


NO.	NAME	QTY	MATERIAL
45	Spring	1	Carbon steel
44	Regulate nut	1	Carbon steel
43	Washer	1	POM
42	Regulate bolt	1	Carbon steel
41	Spring washer	4	Carbon steel
40	Cross screw	4	Carbon steel
39	Valve cover	1	Reinforce nylon
38	Nut	1	Reinforce nylon
37	Symbol ring	1	Reinforce nylon
36	Regulate handle	1	Reinforce nylon
35	Spring	1	Stainless steel
34	Retainer ring	1	Steel plate
33	O-ring	1	NBR
32	Valve core	1	Brass
31	Spool	1	HPb59-1+NBR
30	connection	1	ADC12
29	Seal	1	NBR
28	Plastic connector	1	POM
27	Cross screw	4	Carbon steel
26	Seal	1	NBR
25	Regulator Body	1	Aluminum
24	O-ring	1	NBR
23	Retainer ring	1	Carbon steel
22	Pipe	1	POM
21	Diaphragm seat	1	Brass
20	Diaphragm Pallet	1	Carbon steel
19	Diaphragm	1	NBR
18	Water cup	1	Carbon steel
17	O-ring	1	NBR
16	Drain board	1	ABS
15	Bolt	1	Carbon steel
14	Filter element	1	ADC12
13	Whirring blade	1	ABS
12	Overflow valve seat	1	ZZnAl4-1
11	Bowl guard	1	Carbon steel
10	Spring	1	Stainless steel
9	Lock	1	ABS
8	Pin	1	ABS
7	Hex	1	Brass
6	Hex Nut	1	Brass
5	O-ring	1	NBR
4	Drain valve	1	Brass
3	O-ring	1	NBR
2	Spring	1	Stainless steel
1	Valve core	1	Brass

# EIL Series Air Preparation Unit



## EIL Lubricator



### Specifications

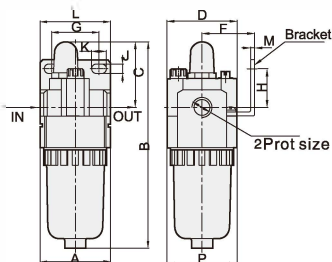
Model	EIL2000	EIL3000	EIL4000	EIL5000
Proof pressure (MPa)	1.5			
Working Pressure Range (MPa)	0.05-1.0			
Working temperature (°C)	-5-60			
Recommended oil	Turbine No.1 Oil ISOVG32			
Bowl material	Polycarbonate			
Bowl guard	None	Available		
Entrance pressure (MPa)	0.15-1.0			

Model	Specifications			
	* Minimal flow of oil drop (L/min)	* Rated flow (L/min)	* Port size (G)	Bowl capacity (cm <sup>3</sup> )
EIL2000-01	15	1300	1/8	25
EIL2000-02		1345	1/4	
EIL3000-02		2310	1/4	
EIL3000-03	40	2375	3/8	50
EIL4000-04	50	5532	1/2	130
EIL5000-06	190	7700	3/4	130
EIL5000-10		8000	1	

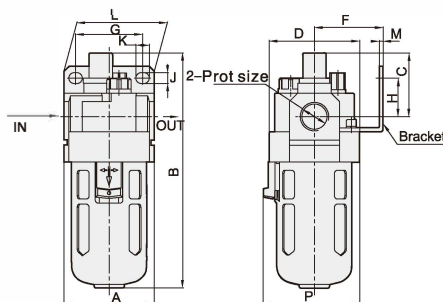
- \* The above information is based on 6.3 Bar supply pressure, the flow of oil drop is 2-3 drops/ min, the temperature of Turbine No.1 oil is 20°C
- \* The above information is based on 6.3 Bar supply pressure and 1.0 Bar step down
- \* NPT,PT port size is optional

### Main Dimension

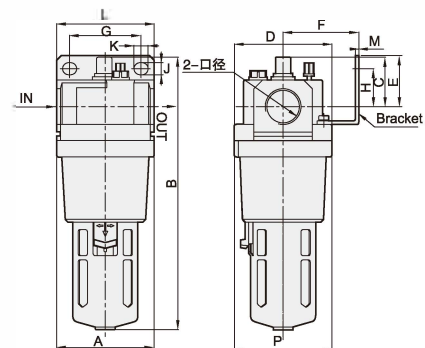
EIL2000



EIL3000-EIL4000



EIL5000



Model	Port Size (G)	A	B	C	D	F	G	H	J	K	L	M	P
EIL2000	1/8"-1/4"	40	115	37.5	40	31	19	14	17	6.8	40	2	40
EIL3000	1/4"-3/8"	53	141	39	53	41	40	23	6.5	8	53	2	56
EIL4000	3/8"-1/2"	70	175	40	70	53	54	26	8.5	10.5	70	2	73
EIL5000	3/4"-1"	90	254	45.5	90	67	66	35	11	13	90	3	90