

# AER/BER Series Air Preparation Unit



## AER/BER

Regulator



### How to Order?

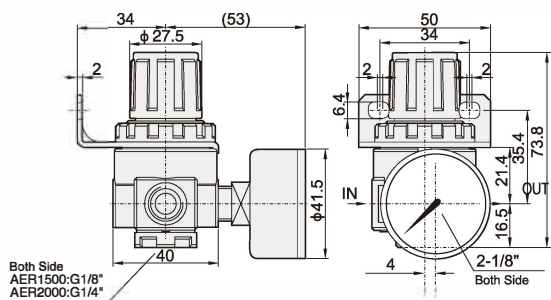
Series No.	Type Code	Body Size	Pressure Gauge Code	Bracket Code	Scale Unit	Thread Type
AE: Small body size without bowl guard BE: Larger body size with bowl guard	R: Regulator	1500: 1/8 2000: 1/4" 3000: 3/8" 4000: 1/2"	Blank: With pressure gauge N: No pressure gauge	Blank: With bracket J: No bracket	4: Mpa/Psi(Default) 5: Bar/Psi	Blank: G P: PT T: NPT

#### Order Example:

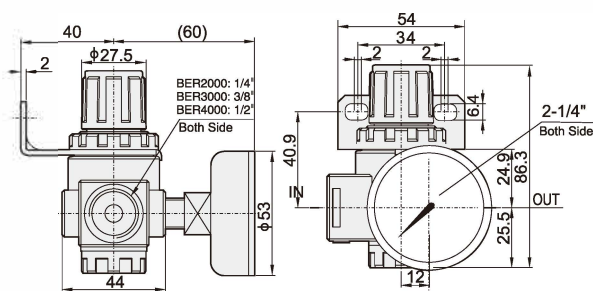
AE series Regulator, 1/4" body size, Mpa/Psi pressure scale unit, PT thread, ERP code is: AEC2000-4-P

### Main Dimension

#### AER1500/2000



#### BER2000-4000



### Specifications

Model	AER1500	AER2000	BER2000	BER3000	BER4000
Working medium	Air				
Port size	G1/8	G1/4	G1/4	G3/8	G1/2
Adjusting pressure range(MPa)	0.05~0.85				
Max. adjusting pressure (MPa)	1.0				
Guaranteed pressure (MPa)	1.5				
Working temperature(°C)	5~60				
Weight (g)	200		230		