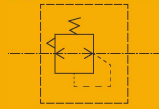


EIR Series Air Preparation Unit

EIR Regulator



Specifications

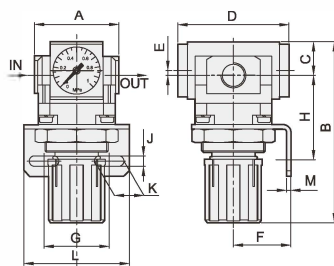
Model	EIR2000	EIR3000	EIR4000	EIR5000
Proof pressure(MPa)			1.5	
Max. working pressure(MPa)			1.0	
Pressure adjusting range(MPa)			0.05-0.9	
Working temperature(°C)			-5-60	
Valve type			With overflow	

Model	Specifications	
	* Rated flow (L/min)	* Port Size (G)
EIR2000-01	1178	1/8
EIR2000-02	1200	1/4
EIR3000-02	2112	1/4
EIR3000-03	2212	3/8
EIR4000-04	5312	1/2
EIR5000-06	6400	3/4
EIR5000-10	6600	1

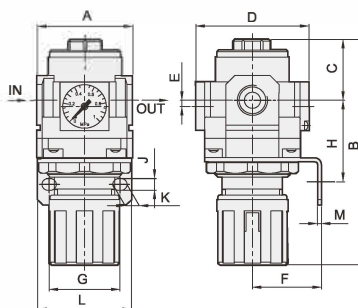
* The above information is based on 8.0 Bar supply pressure and 6.3 Bar set pressure * NPT,PT port size is optional

Main Dimension

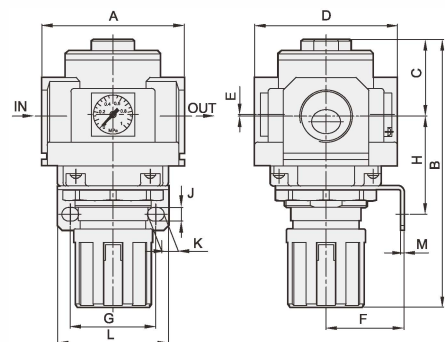
EIR2000



EIR3000-EIR4000



EIR5000



Panel Cut Hole $\varnothing 19$
 EIR2000~3000:
 Max 3.5mm
 EIR4000~5000:
 Max 5mm

Model	Port Size (G)	A	B	C	D	E	F	G	H	J	K	L	M	N
EIR2000	1/8"-1/4"	40	95	17	55	1.3	30.5	33.5	44	5.4	15	55	2	33
EIR3000	1/4"-3/8"	53	127.5	34.5	64	3	39	40	46	6.5	8	53	2	42
EIR4000	1/2"	70	149.5	37.5	81	4	48	53.5	54.5	8.5	10.5	70	2	52
EIR5000	3/4"-1"	90	168	49	90	0.5	48	53.5	62	8.5	10.5	70	2	52