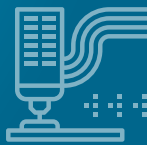
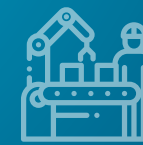
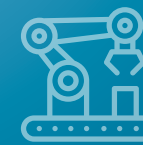
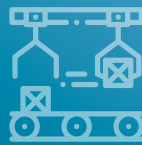
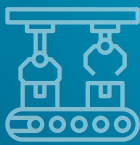


STRONG,
PRECISE and
LONG
LASTING



PRY-A Series
COMPACT SLIDE
CYLINDER
Ø6 - Ø20

ONE BRAND, COMPLETE SOLUTIONS
IN PNEUMATIC AUTOMATION

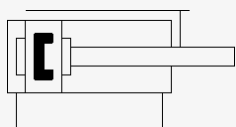




PRY-A Series

Ø6 - Ø20

COMPACT SLIDE CYLINDER



- OPTIMUM PRICE HIGH PERFORMANCE
- SUPERIOR GUIDING WITH PRECISE AND RIGID STEEL GUIDE
- HIGH PARALLELISM IN FINAL POSITION
- HIGH LOAD CAPACITY
- HIGH WORKING LIFE
- FLAT BODY FOR USE IN NARROW SPACES
- L TYPE MOVABLE FLANGE MACHINED FROM ONE PIECE
- READY MOUNTING HOLES ON BODY AND MOVABLE FLANGE
- AIR CONNECTION HOLES ON THREE DIFFERENT SURFACES FOR FLEXIBLE CONNECTION
- END POSITION DETECTION WITH C CHANNEL MAGNETIC SENSOR
- IT CAN BE USED IN ALL SENSITIVE APPLICATIONS, ESPECIALLY TRANSPORT APPLICATIONS

TECHNICAL DATA

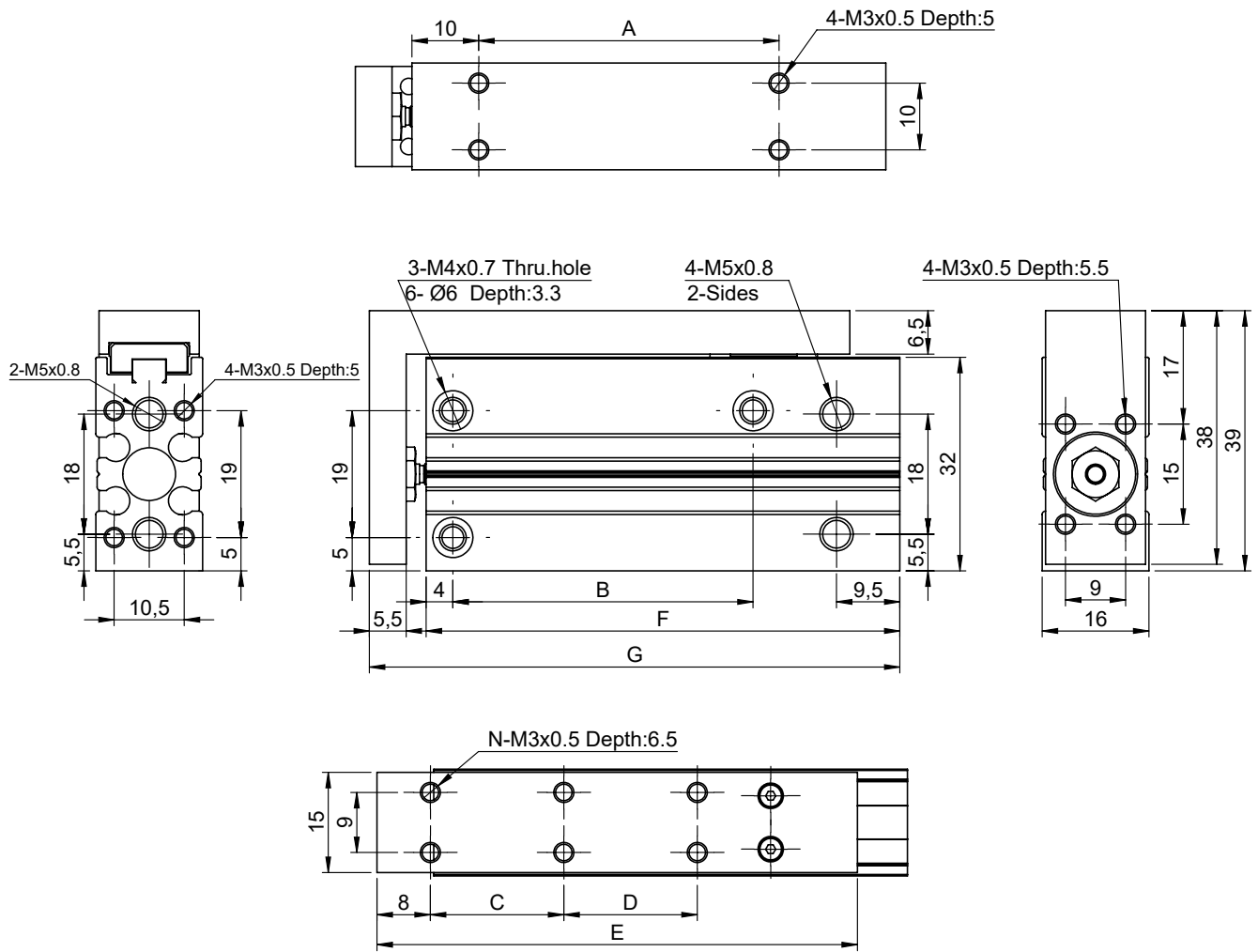
Product Size	6	10	16	20
Operating Temperature (°C)	-20°C .. + 80°C			
Working Fluid	Filtered (40 µm) and lubricated or filtered (40 µm) and non-lubricated air			
Operating Pressure	1,5-7 bar			
Speed Range (mm/s)	50-500			
Cushioning	Rubber Bumper			
Stroke Tolerance (mm)	+1.0 0			
Allowable Kinetic Energy (J)	0,008	0,025	0,05	0,1

Product Diameter	Standard Stroke (mm)	Maximum Stroke (mm)
6	5-10-15-20-25-30-40	40
10	5-10-15-20-25-30-40-50	50
16	5-10-15-20-25-30-40-50-60	60
20	5-10-15-20-25-30-40-50-60	60

ORDER SAMPLE

PRY-	A-	20	50
Product code	A: Magnetic Magnetic is standard	Diameter	Stroke

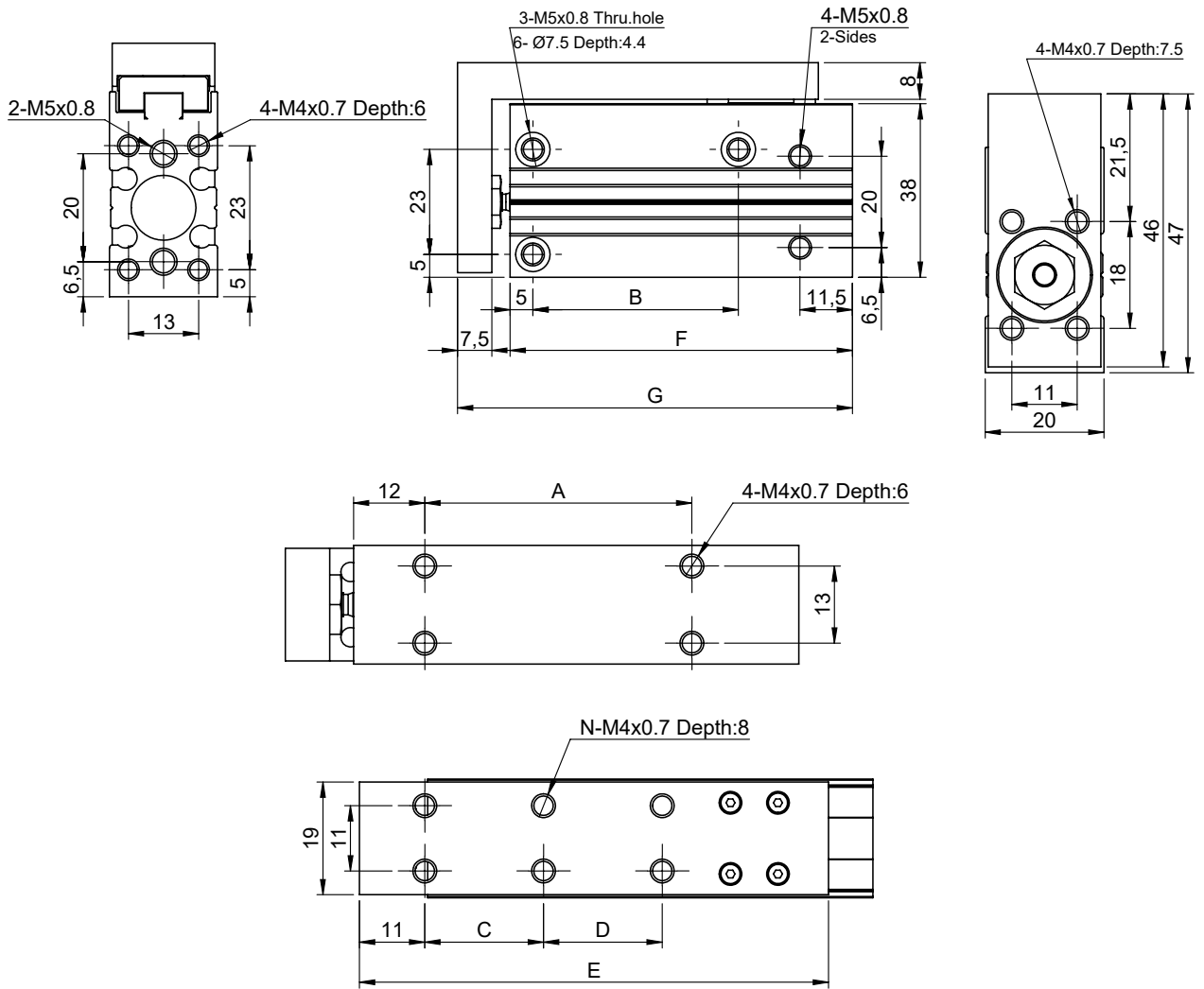
Ø6



Cylinder Ø (mm)	A	B	C	D	E	F	G	N
5	10	14	10	-	42	36	44.5	4
10	15	14	10	-	42	41	49.5	4
15	20	24	20	-	52	46	54.5	4
20	25	24	20	-	52	51	59.5	4
25	30	30	30	-	62	56	64.5	4
30	35	30	30	-	62	61	69.5	4
40	45	45	20	20	72	71	79.5	6

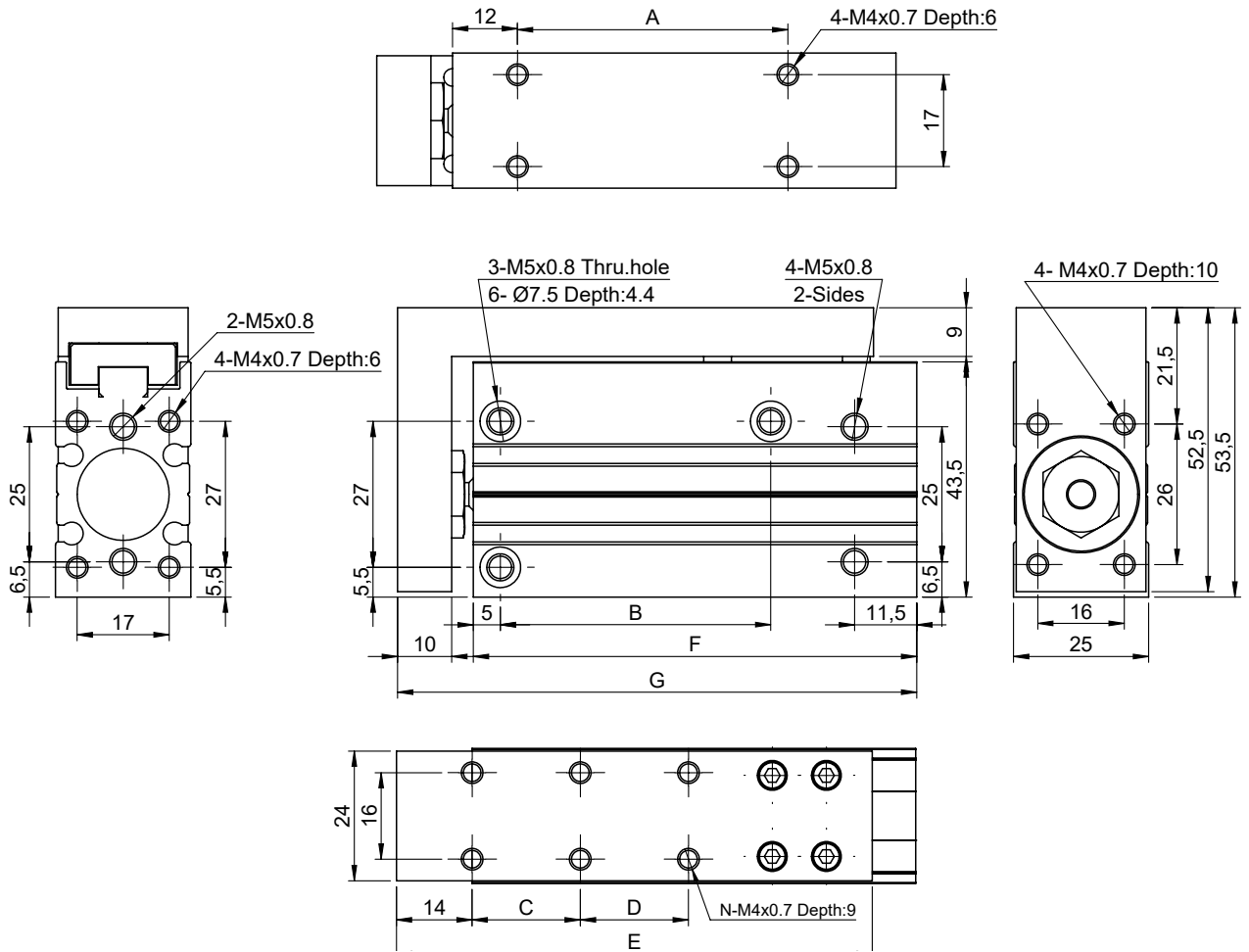


Ø10



Cylinder Ø (mm)	A	B	C	D	E	F	N
5	10	14	10	49	40	51.5	4
10	15	14	10	49	45	56.5	4
15	20	24	20	59	50	61.5	4
20	25	24	20	59	55	66.5	4
25	30	30	30	69	60	71.5	4
30	35	30	30	69	65	76.5	4
40	45	45	20	79	75	86.5	6
50	55	55	25	89	85	96.5	6

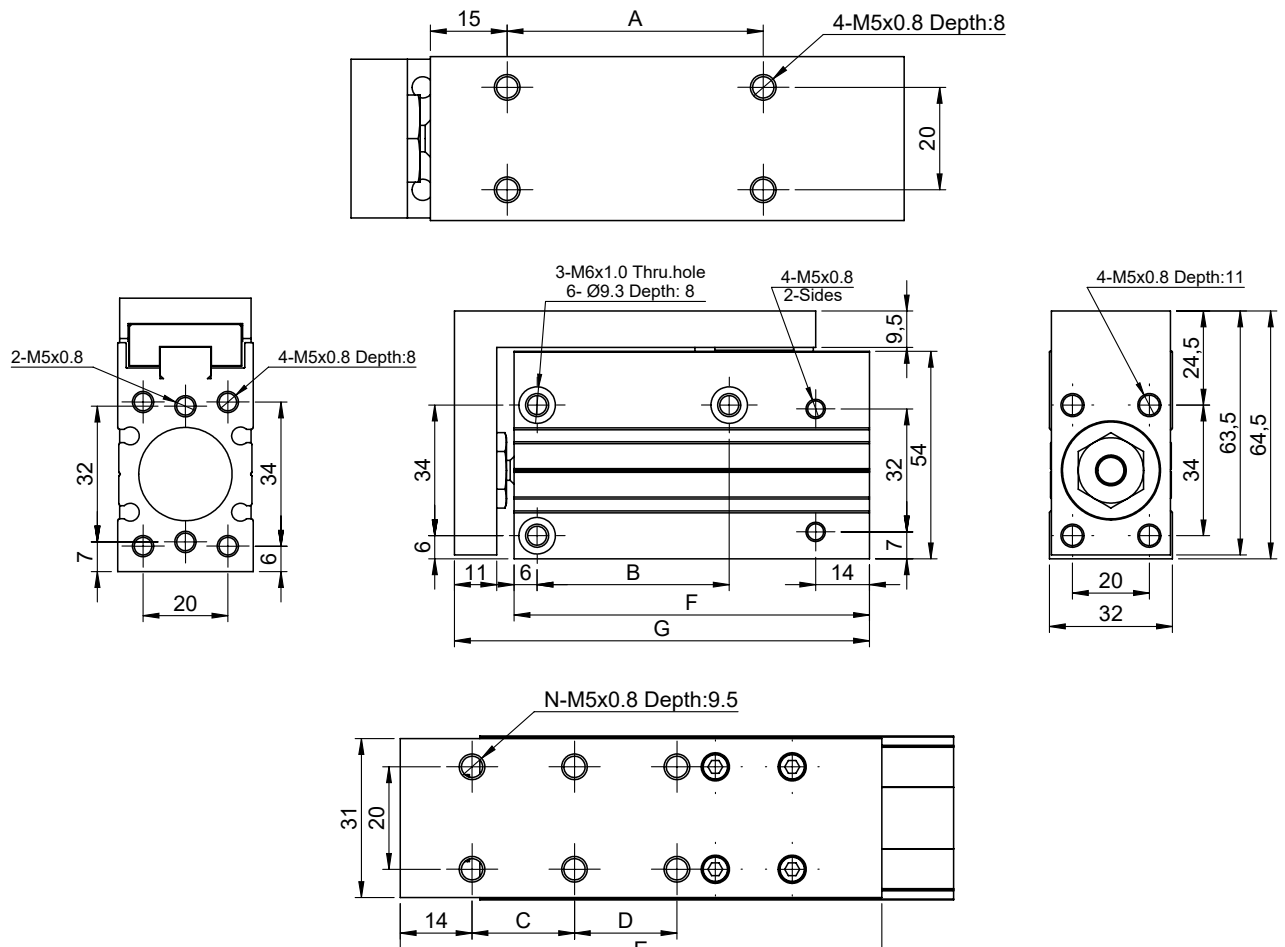
Ø16



Cylinder Ø (mm)	A	B	C	D	E	F	G	N
5	15	20	10	-	58	47	61	4
10	20	20	10	-	58	52	66	4
15	25	30	20	-	68	57	71	4
20	30	30	20	-	68	62	76	4
25	35	40	30	-	78	67	81	4
30	40	40	30	-	78	72	86	4
40	50	50	20	20	88	82	96	6
50	60	60	25	25	98	92	106	6
60	70	60	30	30	108	102	116	6



Ø20



Cylinder Ø (mm)	A	B	C	D	E	F	G	N
5	15	20	10	-	64	57.5	73	4
10	20	20	10	-	64	62.5	78	4
15	25	25	20	-	74	67.5	83	4
20	30	25	20	-	74	72.5	88	4
25	35	40	30	-	84	77.5	93	4
30	40	40	30	-	84	82.5	98	4
40	50	50	20	20	94	92.5	108	6
50	60	70	25	25	104	102.5	118	6
60	70	70	30	30	114	112.5	128	6

PEMAKS NOW ON SOCIAL MEDIA

FOLLOW OUR SOCIAL MEDIA ACCOUNTS FOR
DEVELOPMENTS, NEW PRODUCTS AND SOLUTIONS.

