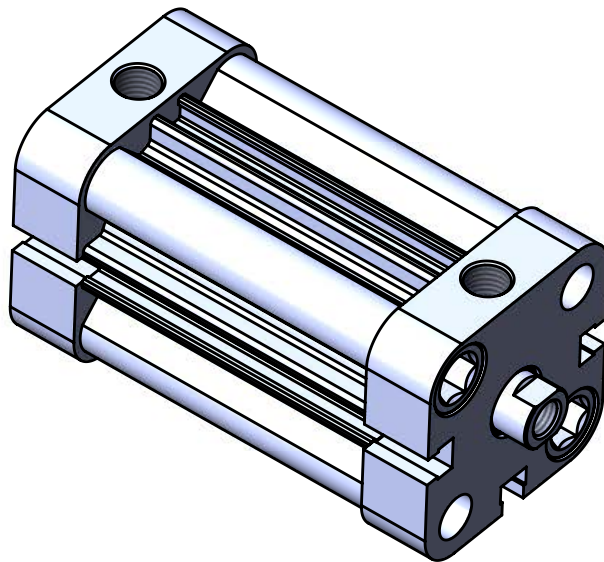
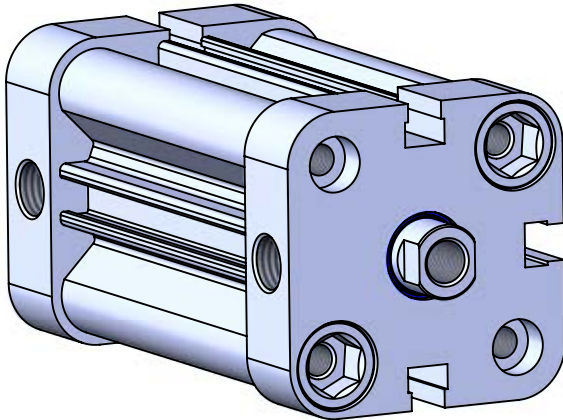


**COMPACT ISO 21287  
PNEUMATIC CYLINDERS  
KCS-A SERIES Ø32- Ø100**



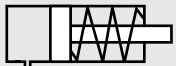


**KCS-A SERIES**

COMPACT - Ø32 - Ø100 - ISO 21287

COMPACT CYLINDER  
WITH MAGNET AND FRONT SPRING

WITH SINGLE ACTING USAGE  
PROVIDES MINIMUM AIR  
CONSUMPTION AND EQUIPMENT  
COSTS



**KCS:** COMPACT CYLINDERS WITH SINGLE ACTING (SPRINGED FROM FRONT)



**KCS-A:** MAGNETIC COMPACT CYLINDERS WITH SINGLE ACTING (SPRINGED FROM FRONT)

**Example of order:**

KCS-A

Product code

032-050

Cylinder Ø Stroke

M1

Variants from Standard System

**Variants from standart system:**

- R1 : Stainless Steel Piston Rod ( SS 304-SS 316 )
- R4 : Stainless Steel Nut for Piston Rod ( SS 304 )
- R5: Piston Rod as CK45 (Hard Chrome Plated)
- M1: Extended male Piston Rod Thread
- M3: Special Piston Rod Thread
- M4: Extended Piston Rod
- K1: Seals for Max. 150°C (Viton)
- K4: Piston Rod Seal Viton

**Force:**

Cylinder Ø mm	Rod Ø mm	Thrust and traction forces (6 Bar)	
		Thrust forces (N)	Traction force (N)
32	12	450	16
40	12	708	23
50	16	1120	30
63	16	1800	35
80	20	2900	60
100	20	4520	100

**Working Fluid:**

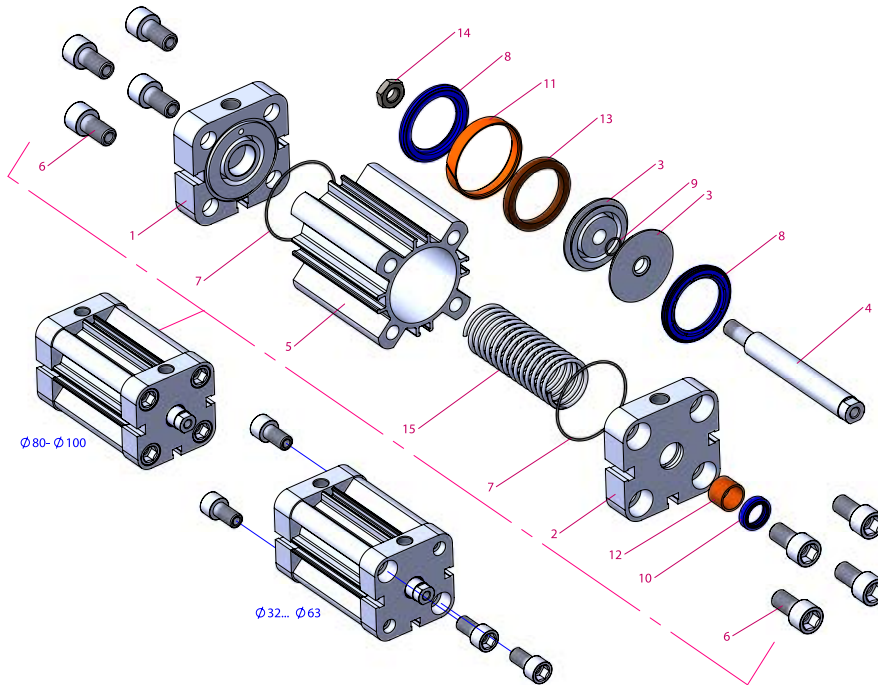
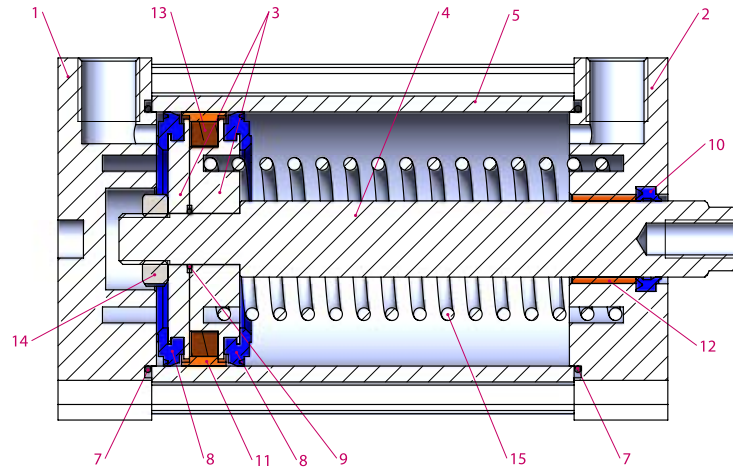
Filtered and lubricated or filtered and not lubricated air.

**Operating Temperature Range:**

Polyurethane (PU) : (-20°C) - (+80°C)  
Viton (FKM) : (-30°C) - (+150°C)

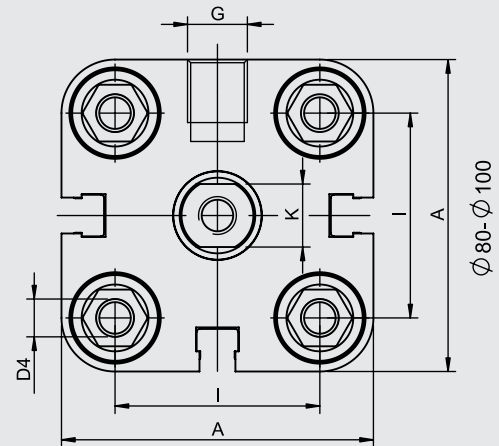
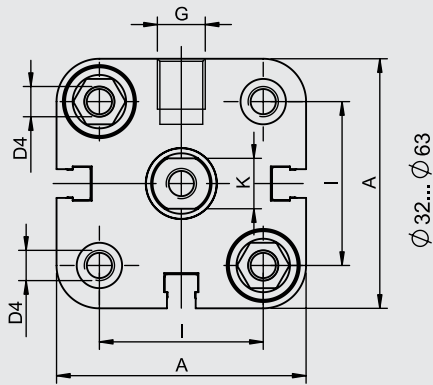
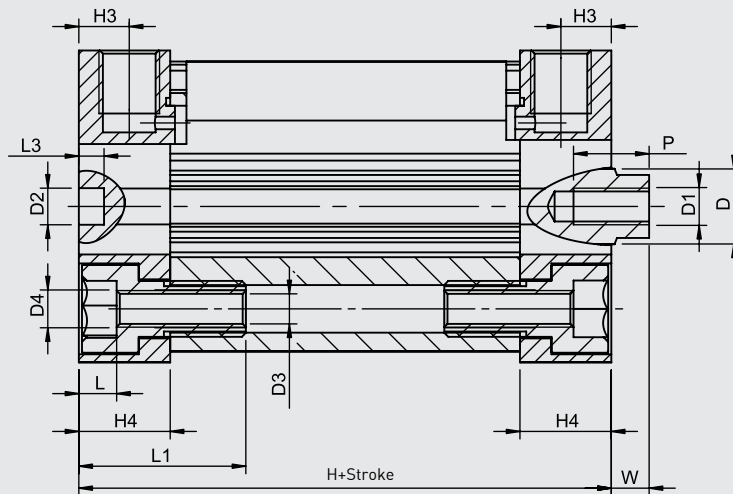
**Maximum work pressure:**

10 Bar

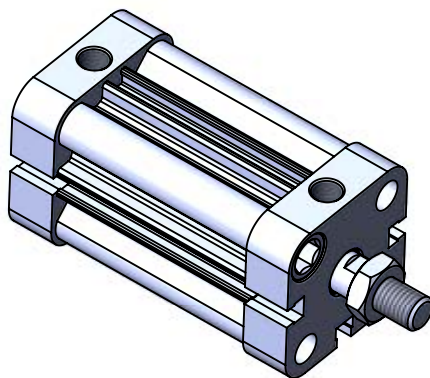


No	Material name	Characteristic	Pc.
1	Rear Head	Aluminium	1
2	Front Head	Aluminium	1
3	Middle Piston	Aluminium	2
4	Piston Rod	X20Cr13 Hard Chrome Plated	1
5	Tube	Al Mg Si 0,5 + Eloxal Plated	1
6	Bolt	SS 303	4-8
7	Head O-ring	NBR	2
8	Piston Seal	PU	2
9	Middle Piston O-ring	NBR	1
10	Rod Seal	PU	1

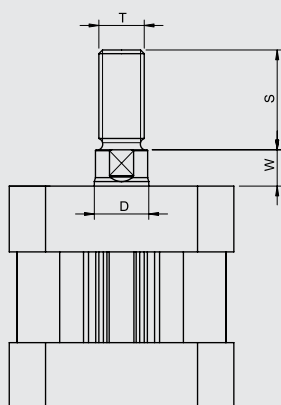
No	Material name	Characteristic	Pc.
11	Guiding Band	Polyacetal	1
12	Guiding Bush	CSB-40	1
13	Magnet		1
14	Nut	Galvanized Steel	1
15	Spring	Galvanized Steel	1



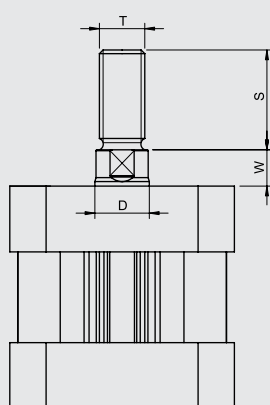
Cylinder Ø mm	A	D Ø	D1 Ø	D2 Ø	D3 Ø	D4 Ø	G	H	H3	H4	I	K	L	L1	L3	P	W
32	49.5	12	M8	6	5.2	M6	1/8"	44.5	7,5	14.5	32.5	10	6	26.5	4	12	7
40	57	12	M8	6	5.2	M6	1/8"	46	7,5	14.75	38	10	6	26.5	4	12	7
50	65.5	16	M10	6	6.8	M8	1/8"	46.5	7,5	14.75	46.5	13	7	30.5	4	16	8
63	79.5	16	M10	8	6.8	M8	1/8"	50	7,5	14.75	56.5	13	7	30.5	4	16	8
80	96	20	M12	8	8.5	M10	1/8"	56.5	8,25	16.5	72	17	8.7	38.5	4	20	10
100	116	20	M12	8	8.5	M10	1/8"	67	10	19.75	89	17	8.7	38.5	4	24	10



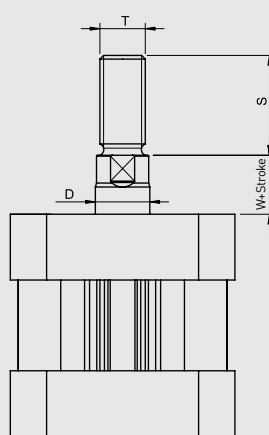
**KC-T**



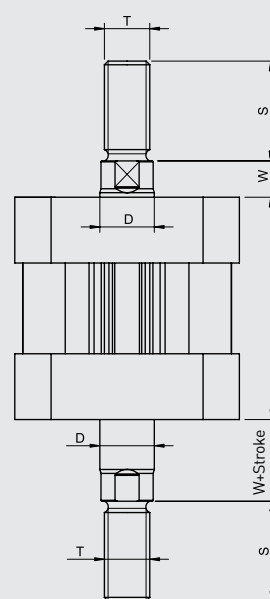
**KCS-T**



**KCE-T**



**KCD-T**



Cylinder type	Cylinder Ø mm	D	S	T	W
<b>KC-KCS KCE-KCD</b>	32	12	19	M10x1.25	7
	40	12	19	M10x1.25	7
	50	16	22	M12x1.25	8
	63	16	22	M12x1.25	8
	80	20	28	M16x1.5	10
	100	20	32	M16x1.5	10