

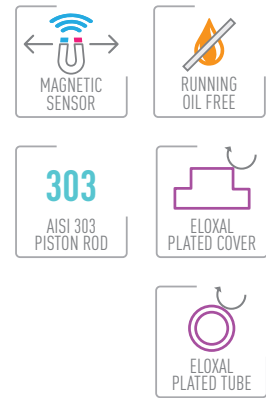
NEW PRODUCTS 2020

PK SERIES



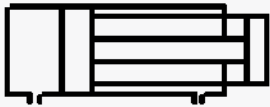
ONE BRAND, COMPLETE SOLUTIONS
IN PNEUMATIC AUTOMATION



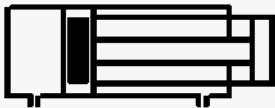


PKY SERIES ISO 21287 // Ø12 - Ø25

DOUBLE ACTING, COMPACT, NON-ROTATING ROD and MAGNETIC CYLINDER



PKY
DOUBLE ACTING,
COMPACT and
NON-ROTATING ROD
CYLINDER



PKY-A
DOUBLE ACTING,
COMPACT
NON-ROTATING
ROD and MAGNETIC
CYLINDER

- CONVENIENT DESIGN FOR TRANSPORT AND POSITIONING
- COMPACT BODY STRUCTURE PROVIDES EASE OF USE IN NARROWWORK SPACES
- CORROSION AND OXIDATION RESISTANT BODY ELEMENTS TOUGH ENVIRONMENT IT OFFERS LONG LIFE UNDER CONDITIONS
- MULTIPLE SENSOR CONNECTION POINT MAKES CYLINDER CONTROL EASIER
- GENERALLY, FOOD & PACKAGING MACHINES, PLASTICS and EXTRUDERS USED IN MACHINES

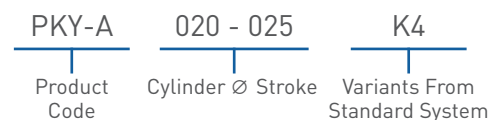
FORCE

Cylinder Ø mm	Rod Ø mm	Thrust and traction forces (6 Bar)	
		Thrust force (N)	Traction force (N)
12	6	68	51
16	8	121	90
20	10	188	141
25	10	295	247

VARIANTS FROM STANDARD SYSTEM

- M4: Extended Piston Rod
- K1: Seals for Max. 150°C (Viton)
- K4: Piston Rod Seal Viton

EXAMPLE OF ORDER



WORK CONDITIONS

Working Fluid:

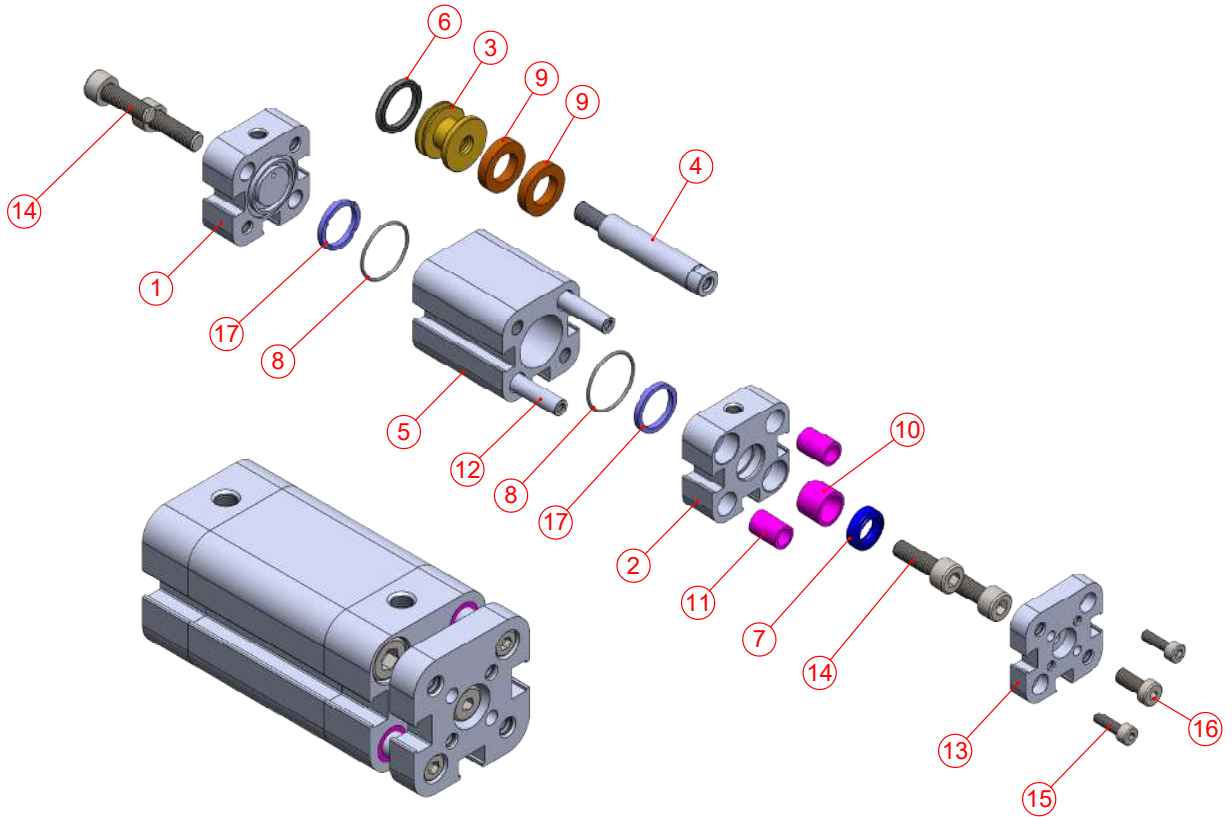
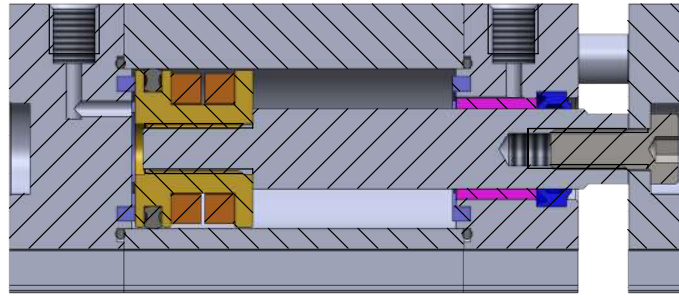
Filtered and lubricated or filtered and not lubricated air

Operating Temperature Range:

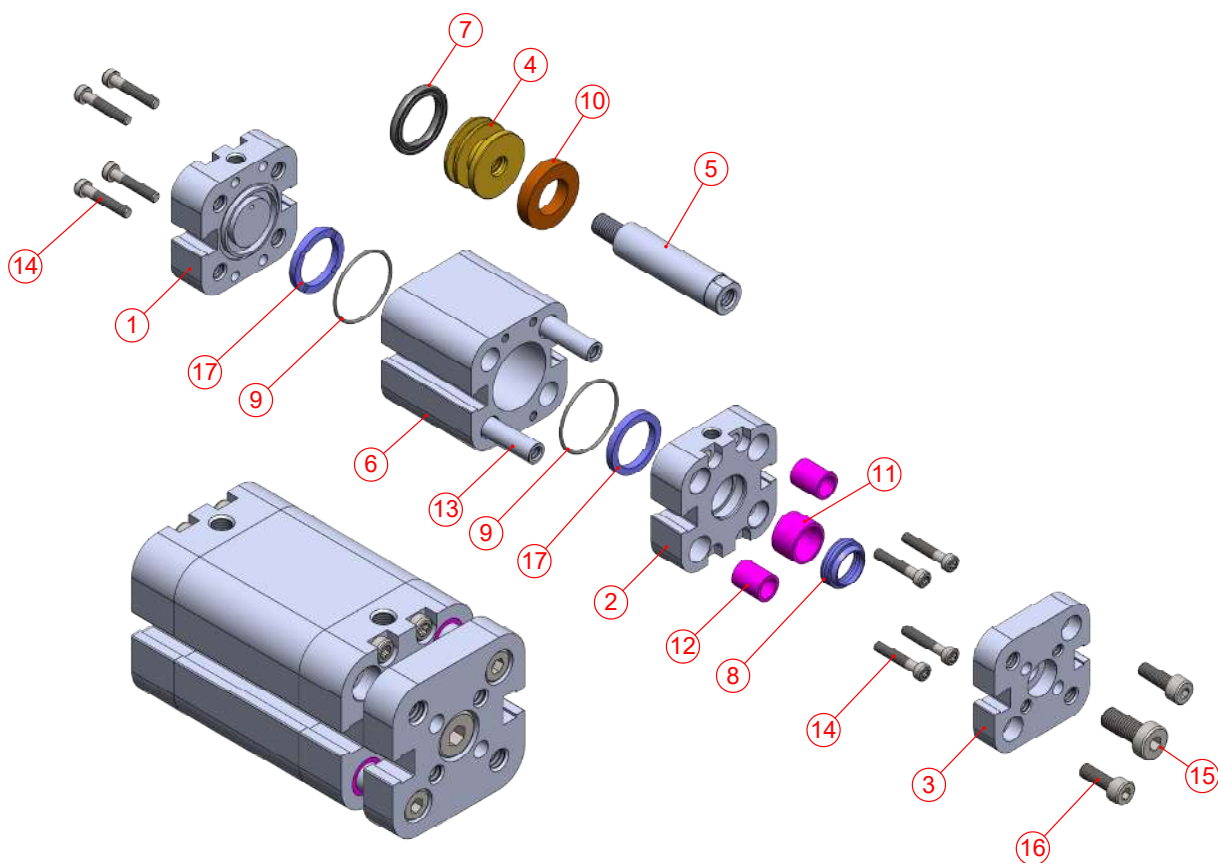
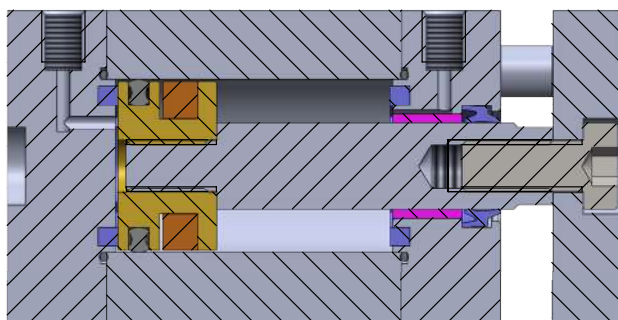
Polyurethane (PU) : (-20 C) - (+80°C)
Viton (FKM) : (-30 C) - (+150°C)

Max. Work Pressure:

10 Bar

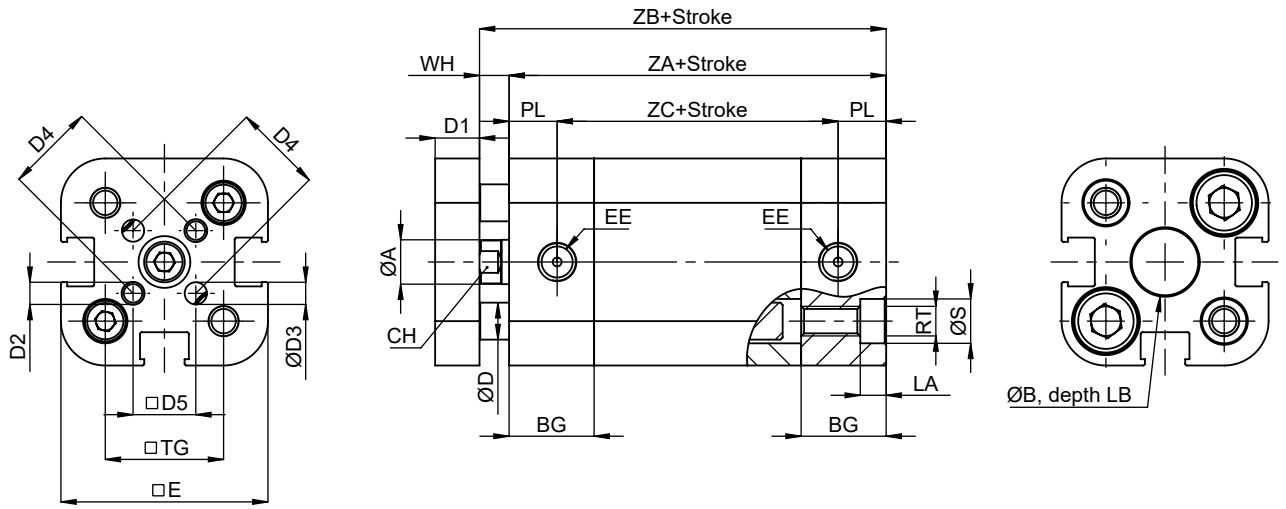


No	Material name	Characteristic	Pc.
1	Rear Head	Aluminium+Eloxal Plated	1
2	Front Head	Aluminium+Eloxal Plated	1
3	Middle Piston	Brass	1
4	Piston Rod	AISI 303	1
5	Cylinder Tube	AlMgSi0.5+Eloxal Plated	1
6	Piston Seal	NBR	1
7	Rod Seal	PU	1
8	Head O-Ring	NBR	2
9	Magnet		2
10	Guide Bush	CSB-40	1
11	Guide Bush	CSB-40	2
12	Guide Rod	AISI 303	2
13	Bracket Mounting	Aluminium+Eloxal Plated	1
14	Bolt	Galvanized Steel	4
15	Bolt	Galvanized Steel	2
16	Bolt	Galvanized Steel	1
17	Bumper	PU85	2

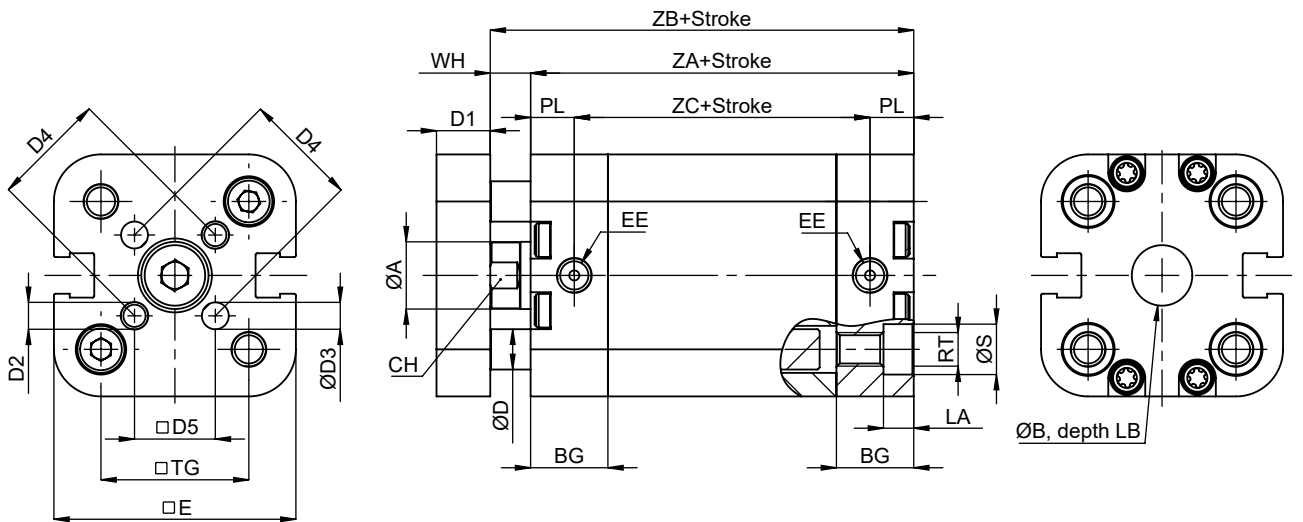


No	Material name	Characteristic	Pc.
1	Rear Head	Aluminium+Eloxal Plated	1
2	Front Head	Aluminium+Eloxal Plated	1
3	Bracket Mounting	Aluminium+Eloxal Plated	1
4	Middle Piston	Brass	1
5	Piston Rod	AISI 303	1
6	Cylinder Tube	AlMgSi0.5+Eloxal Plated	1
7	Piston Seal	NBR	1
8	Rod Seal	PU	1
9	Head O-Ring	NBR	2
10	Magnet		1
11	Guide Bush	CSB-40	1
12	Guide Bush	CSB-40	2
13	Guide Rod	AISI 303	2
14	Bolt	Galvanized Steel	8
15	Bolt	Galvanized Steel	1
16	Bolt	Galvanized Steel	2
17	Bumper	PU85	2

Ø12 - Ø16



Ø20 - Ø25



Cylinder Ø mm	A	D	D1	D2	D3	D4	D5	CH	WH	ZA	ZB	ZC	TG	E	PL	B	LB	LA	BG	S	RT	EE
12	6	5	6	M3	3	12	8.5	5	4	36	40	23	16	28	6.5	9	2.1	3.5	11.5	6	M4	M5
16	8	5	6	M3	3	14	10	7	5	37	42	24	18	29	6.5	9	2.1	3.5	11.5	6	M4	M5
20	10	6	8	M4	4	17	12	9	6	37	43	24	22	36	6.5	9	2.1	4.5	11.5	7.5	M5	M5
25	10	6	8	M5	5	22	15.6	9	6	39	45	26	26	38	6.5	9	2.1	4.5	11.5	7.5	M5	M5