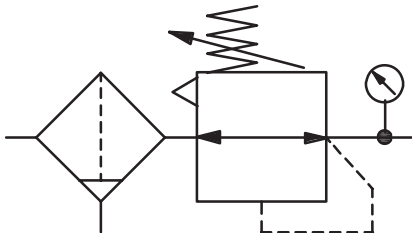


F37 SERIES

PRIMOFLO series 37 stainless steel filter regulators are designed to meet the rugged demands of harsh process environments and suitable for use in potentially explosive atmosphere, providing high flow rate with precise pressure regulation to the actuator. Effective moisture removal ensures clean, dry media to eliminate contamination to downstream devices. It also has a large number of other applications including Marine (Oil Tankers, Ferries, Cargo Vessels & Diesel Engines) and Oil & Gas (offshore platforms & refinery. Aluminum material regulator are also ideal for automation control industrial.



FUNCTION



APPLICATIONS

- Petroleum & Natural Gas
- Pneumatic Actuator
- Air Compressor
- Automatic Control System

For uncertain applications or hazardous operating conditions, please contact PRIMOFLO or supplier for technical support

FEATURES AND BENEFITS

- Certified according to IEC 61508 functional safety data and have SIL-3 capability (TÜV)
- Regulator designed with integral filter constructions
- Unique design to maintain excellent performance in low temperature environments
- All stainless steel filter regulators are provided integrated protective cap as standard
- Reliable and long life, ideal for one time installation
- Available in stainless steel or aluminum material
- Stainless steel regulators are complied with ASTM A 351/ NACE MR 01.75
- Available in manual and auto drain
- Standard with 5 microns filter elements, available in a variety of filter elements
- Comply with EAC certification requirements

MATERIALS

MATERIALS IN CONTACT WITH FLUID	
BODY	Stainless steel / Aluminum
SPRING BOX	Stainless steel / Aluminum
CORE	Stainless steel
SPRING	Stainless steel
FILTER ELEMENT MATERIAL	Stainless steel / Copper
SEALING	VMQ/NBR

Other materials on request.

GENERAL

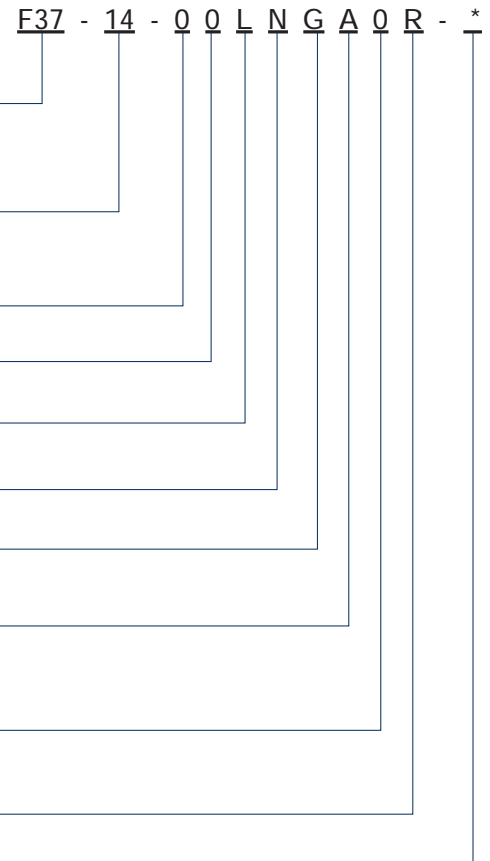
ITEM	F37
PORT SIZE (NPT)	1/4", 3/8", 1/2", 3/4", 1"
MEDIA	Air
BODY MATERIAL	Stainless steel / Aluminum
INLET PRESSURE	10 bar(max)-Aluminum 20 bar(max)-Stainless steel
OUTLET PRESSURE	0.5~8.3 bar(Aluminum) 0.5~10 bar(Stainless steel)
TEMPERATURE RANGES	-40°C ~ +80°C / -55°C ~ +90°C
FILTERING CAPACITY	5µm(Standard) / 25µm or 40µm(Optional)
DRAINAGE	Manual(default), Automatic/Semi-automatic drain (optional)
BOWL CAPACITY	<1/2", 120ml, storage 60ml ≥1/2", 240ml, storage 90ml
VENT	Integrated Protective Cap(Standard) or M6 Vent - Stainless Steel 3 mm Vent - Aluminum

ORDERING GUIDE

Available in repairing kits, accessories, please contact PRIMOFLO for more information.

F37 Series Selection Guide:

PRODUCT SERIES	F37 - F37
PORT SIZE	14 - 1/4" NPT 38 - 3/8" NPT 12 - 1/2" NPT 34 - 3/4" NPT 11 - 1" NPT
BODY MATERIAL	0 - Stainless steel 1 - Aluminum
OUTLET PRESSURE	0 - 0.5 ~ 8.3bar (Aluminum) 0 - 0.5 ~ 10bar (Stainless steel)
MEDIA TEMPERATURE	Omit - -40°C ~ +80°C (Default) L - -55°C ~ +90°C (Note 1)
BRACKET	Omit - Inclusive (Default) N - Without
GAUGE	Omit - Without (Default) G - Inclusive (Note 2)
DRAIN	Omit - Manual (Default) S - Semi-automatic drain A - Automatic
FILTER ELEMENT	Omit - 5µm (Default) 0 - 40µm 1 - 25µm
TECHNICAL REQUIREMENT	R - Comply with EAC (The certification system of the Eurasian Economic Union)
SPECIAL OPTIONS	* - Special on Request

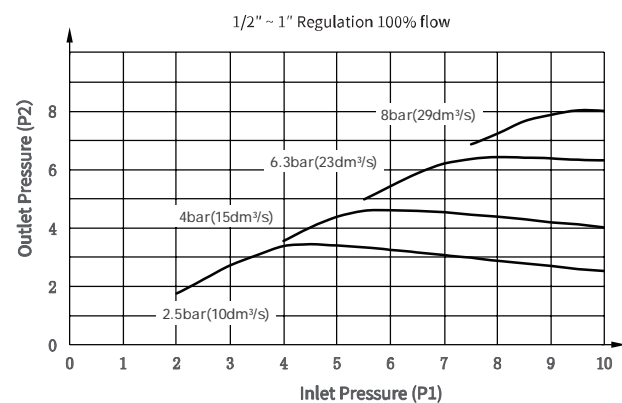
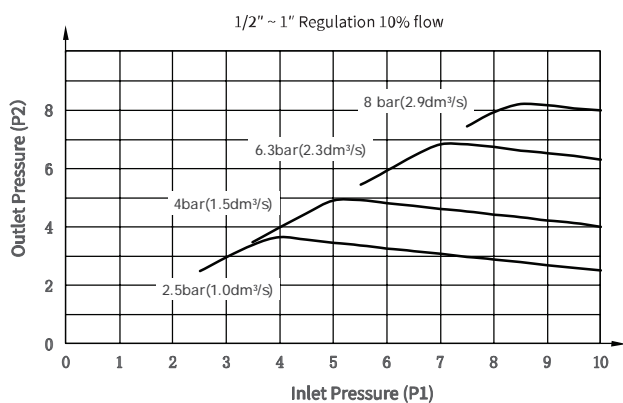
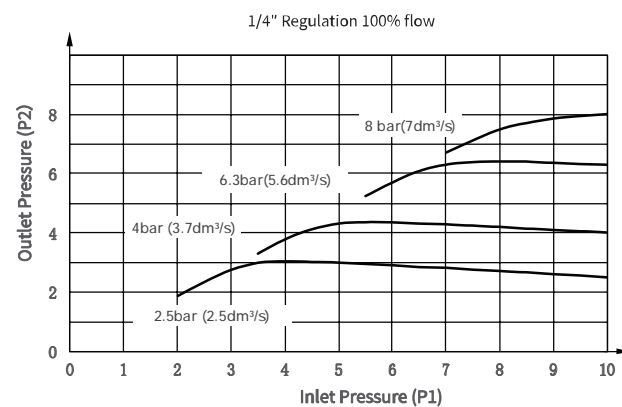
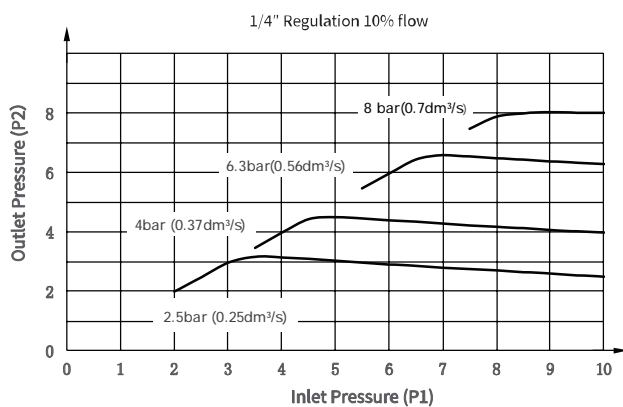


Note1: Low temperature(-55°C to 90 °C) type is only available for Stainless steel body

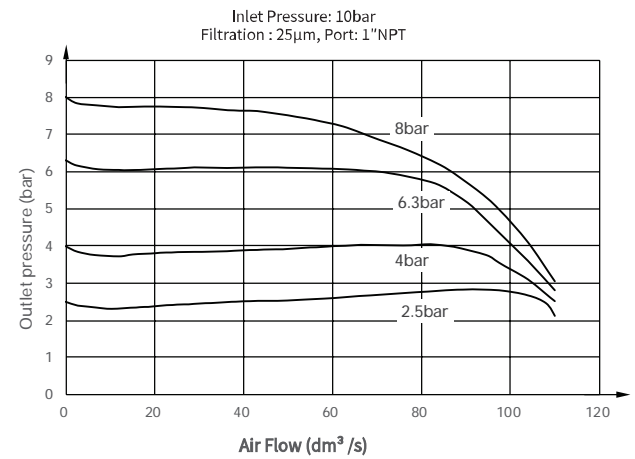
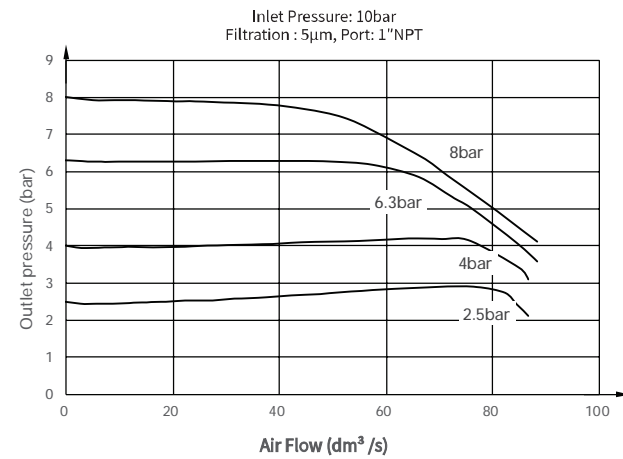
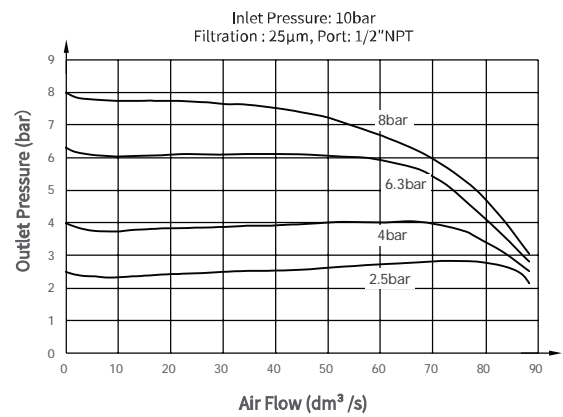
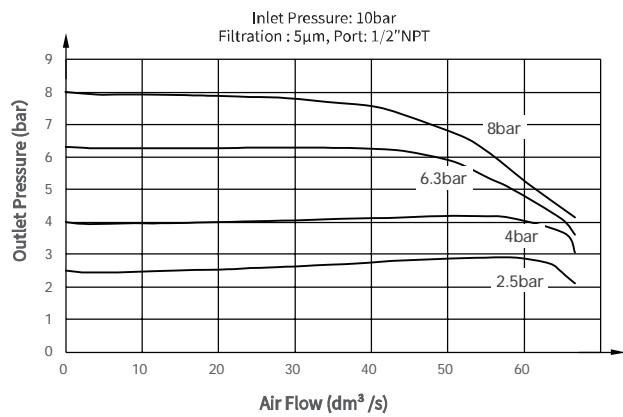
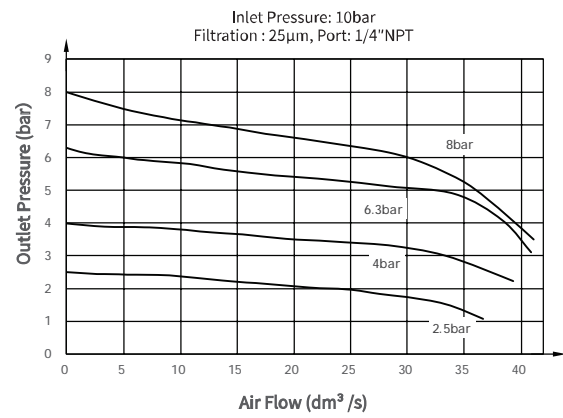
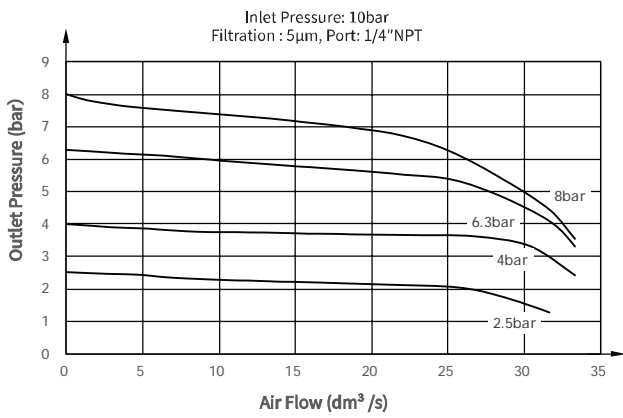
Note2: When selecting the low temperature type filter regulator with gauge(-55°C to 90 °C), please select low temperature gauge (-55°C to 90 °C).

*Special options are available on request.

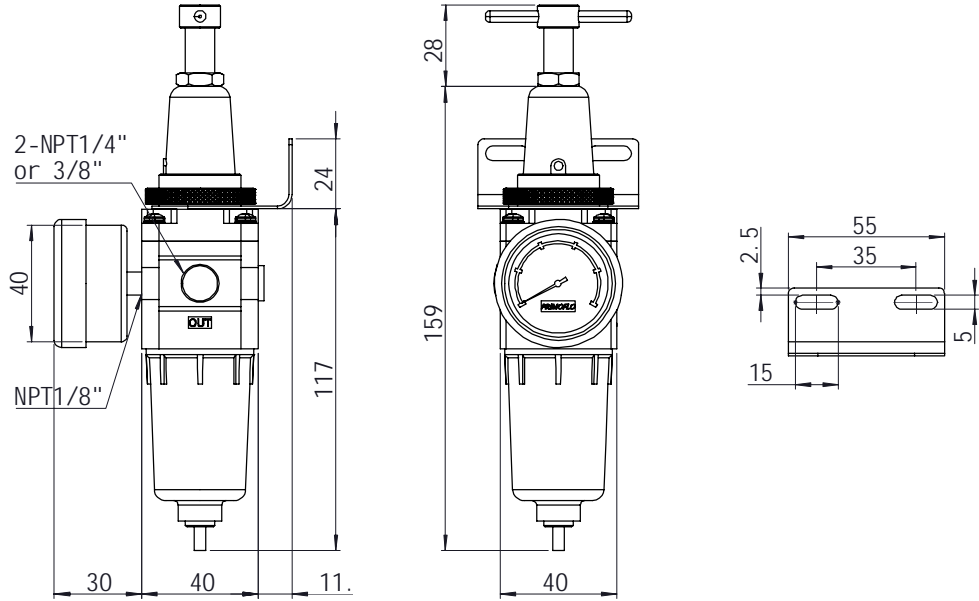
REGULATING CHARACTERISTICS



FLOW CHARACTERISTICS

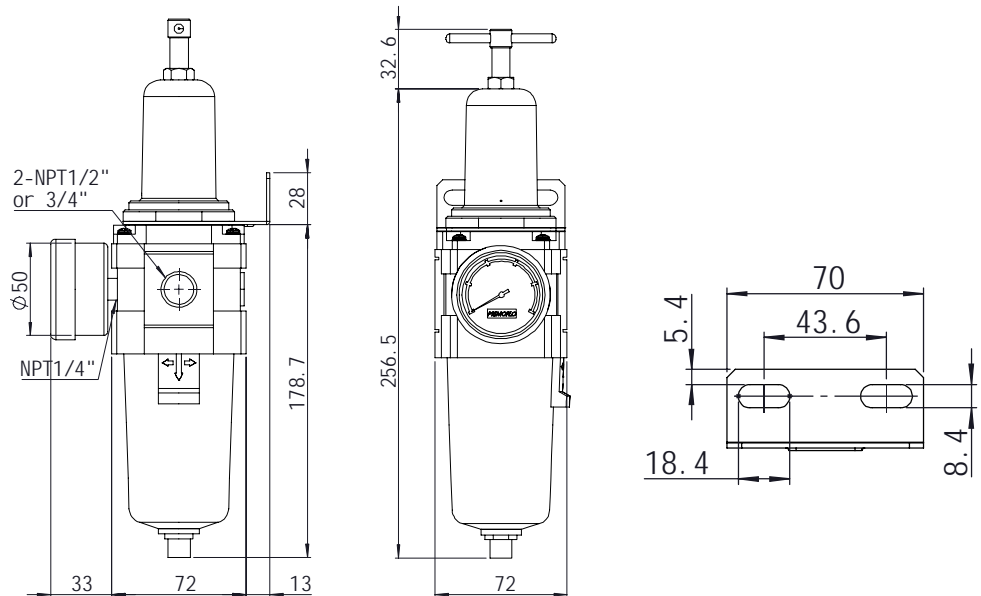


| DIMENSIONS(mm)



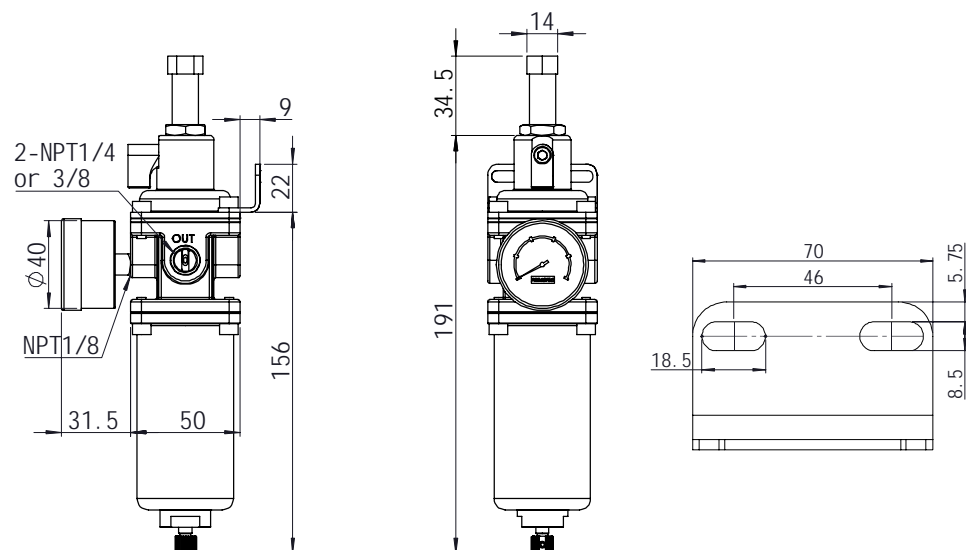
Port size 1/4"

Model number: F37-1410G*



Port size 1/2"

Model number: F37-1210G*



Port size 1/4", 3/8"

Model number: F37-1400G*/3800G*

| DIMENSIONS(mm)



Port size 1/2", 3/4", 1"

Model number: F37-1200G*/3400G*/1100G*

